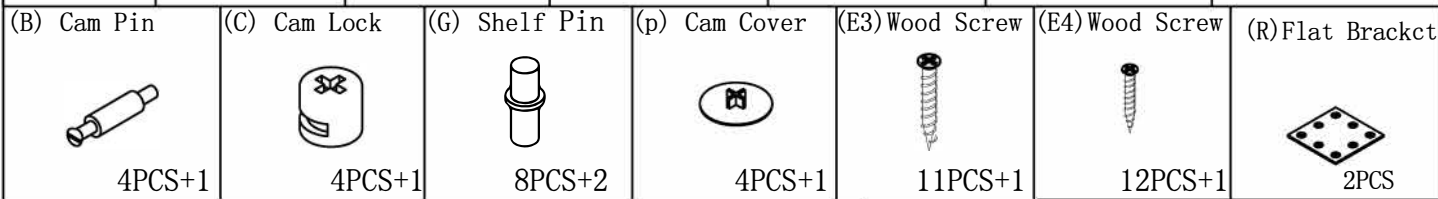
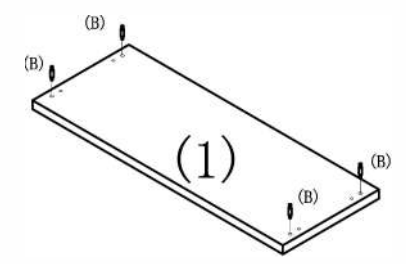
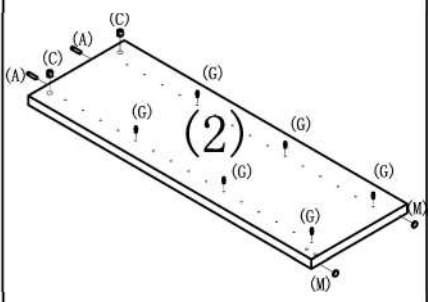


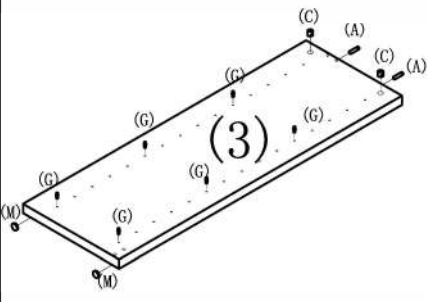
STEP 1



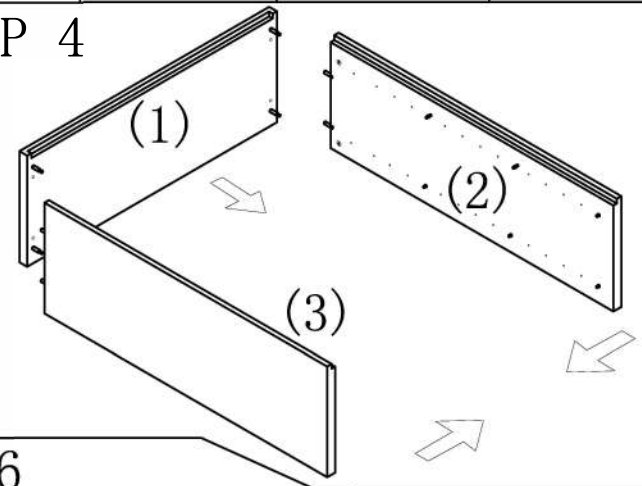
STEP 2



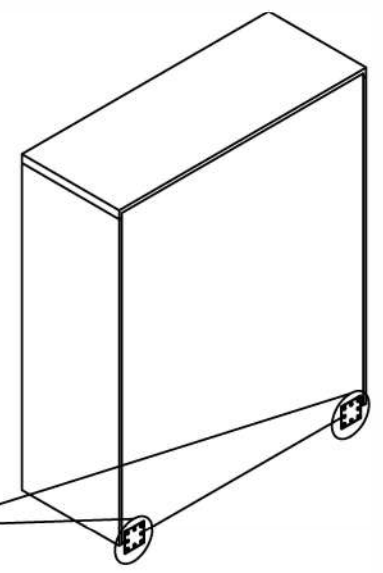
STEP 3



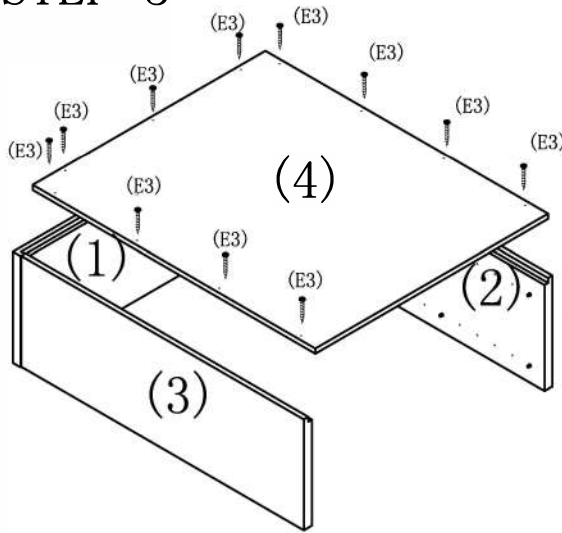
STEP 4



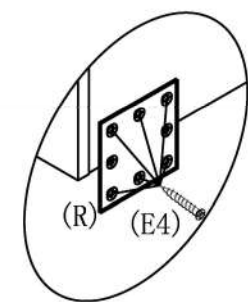
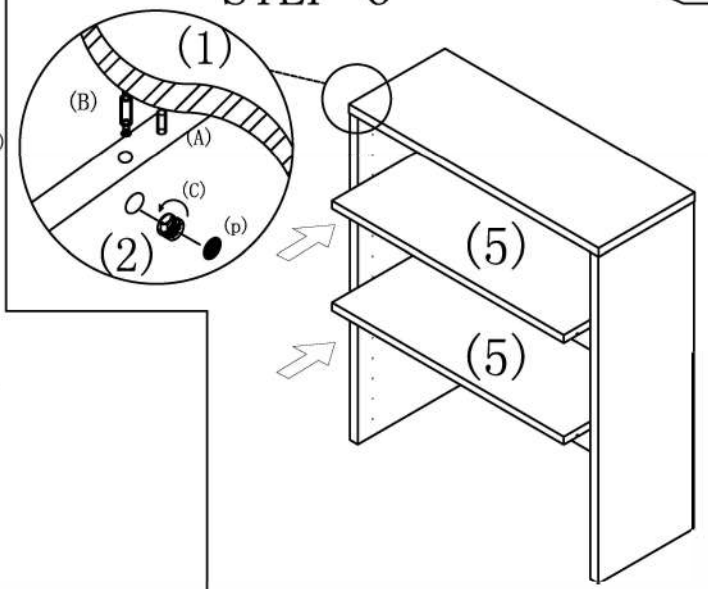
STEP 7



STEP 5



STEP 6



BOOKCASE 36" H
NAP-53
 36"W x 14"D x 36"H

Always lay components on A clean, soft-cushioned surface during assembly.