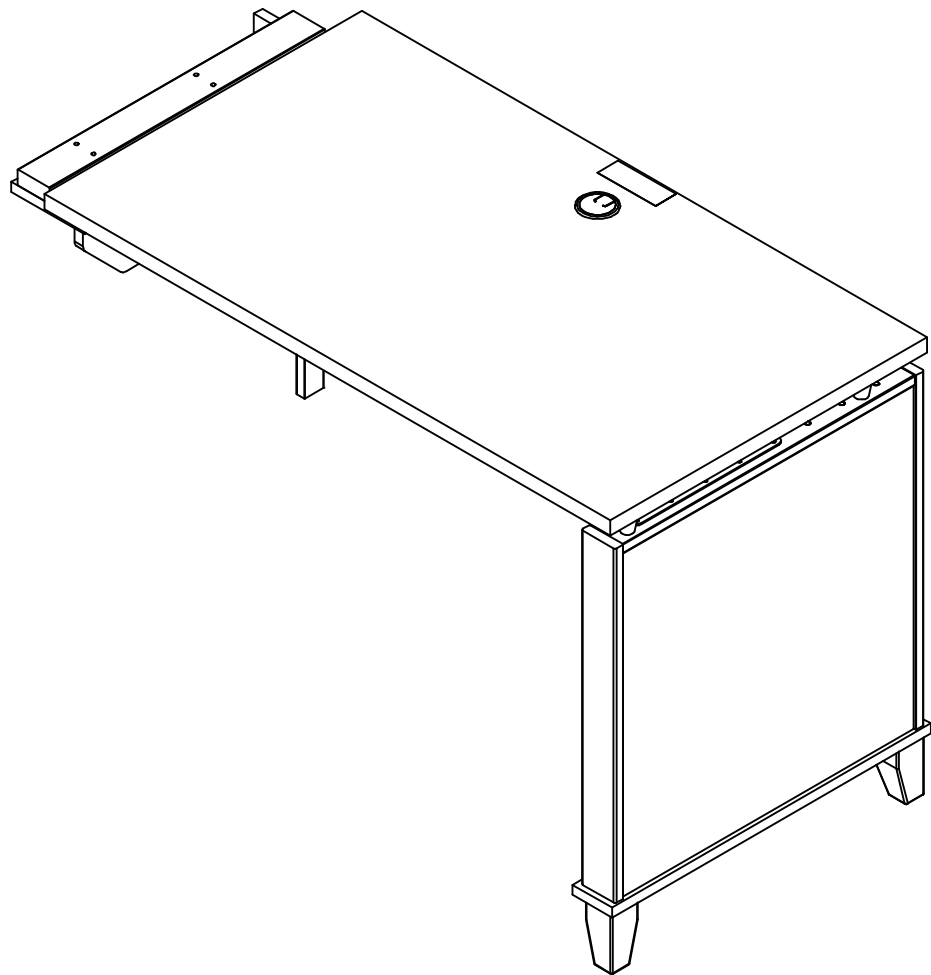




cubicles.com

Standing Desk



Get Ready to Assemble

For best results, keep these tips in mind:

- ① We know you want to finish this assembly as quickly as possible, but trust us: you'll have a better experience if you take it one step at a time.
- ② Give yourself some room to work near where you want the fully assembled product.
- ③ If your floor isn't carpeted, assemble this product on the empty carton to avoid scratching.
- ④ Do you have a friend who owes you a favor? Some steps may go a little easier with a second set of hands.

DOs

- ✔ Use a #2 Phillips head screwdriver (or other handheld tools as indicated)
- ✔ Wear safety glasses at all times during assembly
- ✔ Carefully follow the instructions in this guide and complete all steps in order
- ✔ Give us a call if you're having trouble with a particularly tricky step

DON'Ts

- ✘ We know power tools are quick and easy, but you shouldn't use them when assembling this product (unless otherwise specified)
- ✘ Never move your furniture with items inside or resting on the surface
- ✘ Do not attempt to use this product before all steps have been completed

IMPORTANT SAFETY INFORMATION



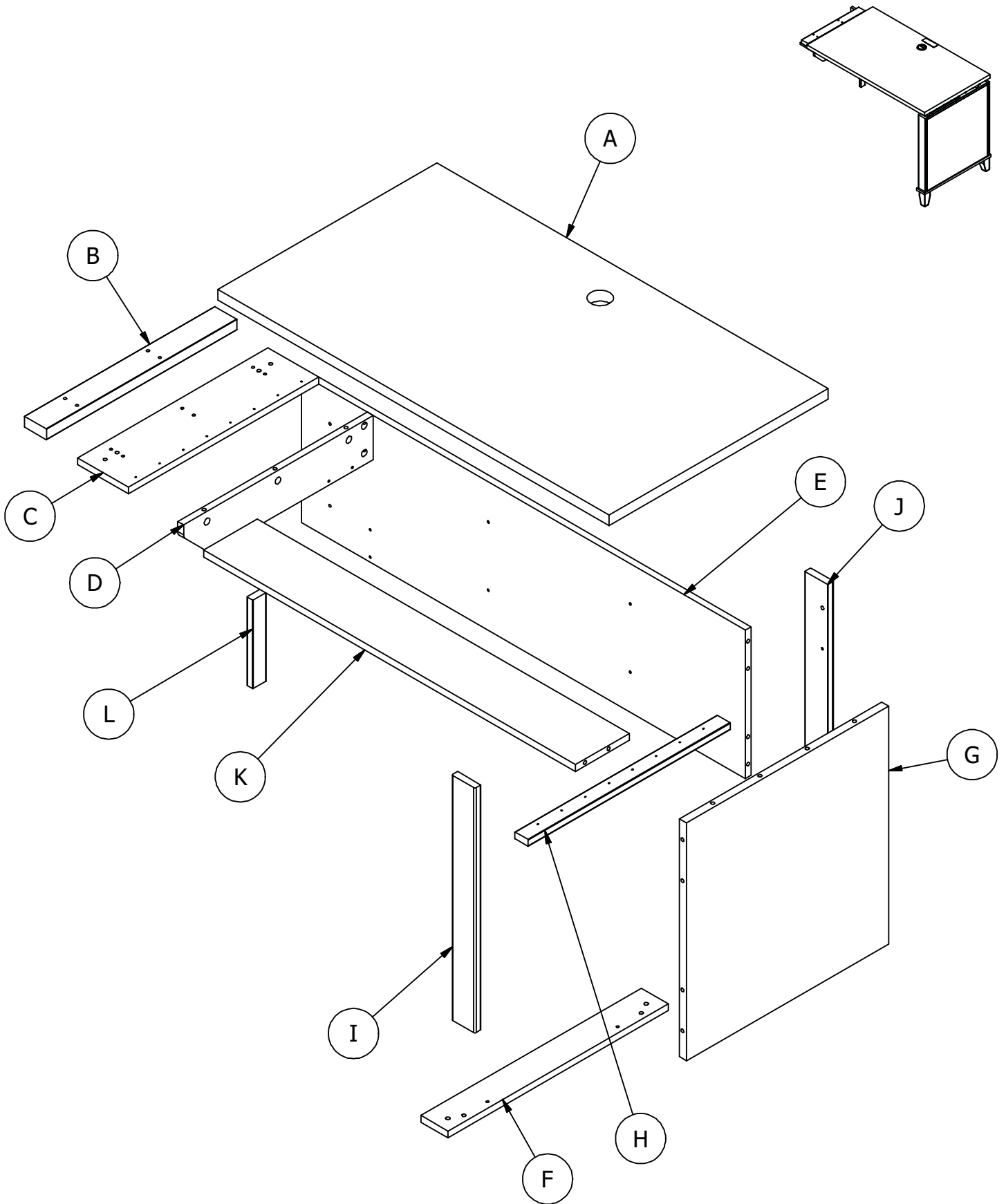
PLEASE READ WARNINGS

Improper use can cause safety hazards, or damage to your furniture and household items.

Warning	Do	Don't	Why it's important
Serious injury may occur.	<ul style="list-style-type: none">Assemble following all instructions using all indicated parts and hardware provided.	<ul style="list-style-type: none">Do not move unit when loaded.Do not load with a television or other heavy equipment.Do not exceed the maximum load limits stated in the instructions.Do not sit or stand on adjustable height work surface.	Improper assembly, use or loading can lead to product instability, tip-over or collapse.
Serious injury may occur.	<ul style="list-style-type: none">Maintain 1 inch (25mm) clearance between desk and all other furniture at all times.	<ul style="list-style-type: none">Do not place hands close to the mechanism when lifting or lowering the work surface.	Pinch points exist in the mechanism and may be created by placing the desk too close to other furniture and objects.

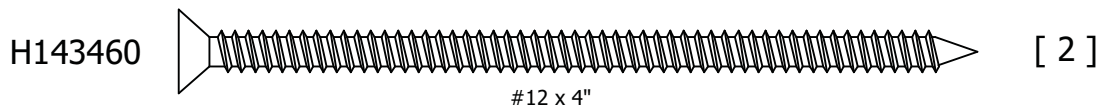
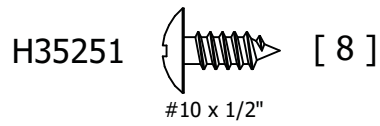
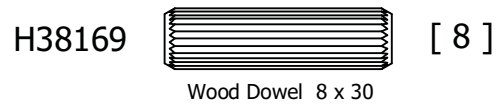
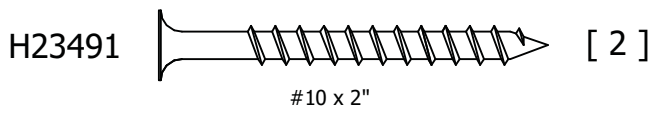
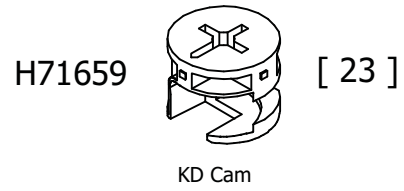
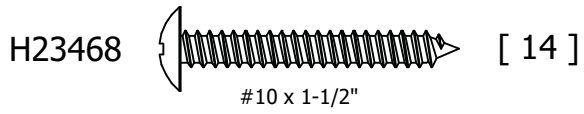
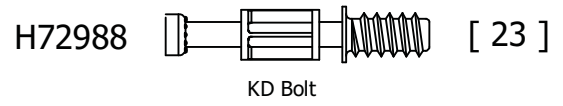
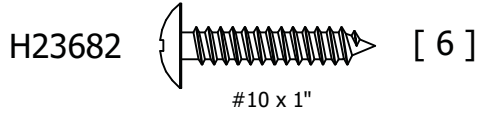
Advertencia	Hacer	No	Por qué es importante
Se pueden producir lesiones graves.	<ul style="list-style-type: none">Ensamble siguiendo todas las instrucciones utilizando todas las piezas y ferretería indicados provistos.	<ul style="list-style-type: none">No mueva la unidad cuando esté cargada.No cargue con un televisor u otro equipo pesado.No exceda los límites máximos de carga establecidos en las instrucciones.No se siente ni se pare sobre una superficie de trabajo de altura ajustable.	El ensamblaje, uso o carga inadecuados pueden provocar inestabilidad del producto, vuelco o colapso.
Se pueden producir lesiones graves.	<ul style="list-style-type: none">Mantenga un espacio de 1 pulgada (25 mm) entre el escritorio y todos los demás muebles en todo momento.	<ul style="list-style-type: none">No coloque las manos cerca del mecanismo cuando levante o baje la superficie de trabajo.	Existen puntos de pellizco en el mecanismo y pueden crearse colocando el escritorio demasiado cerca de otros muebles y objetos.

Get to know your Boards



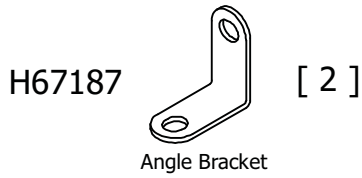
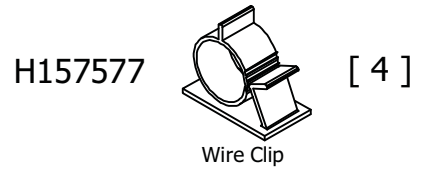
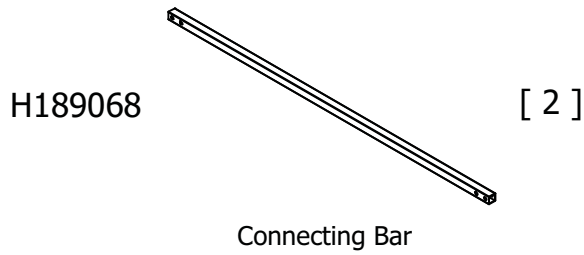
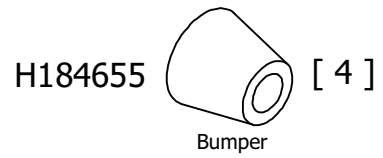
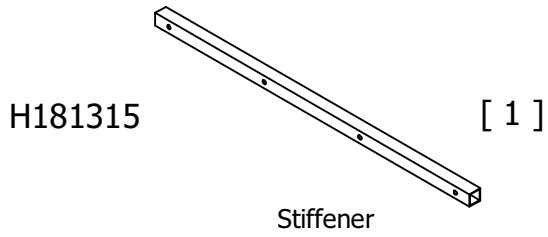
Get to know your Fasteners

Fasteners are shown actual size.

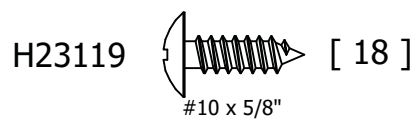
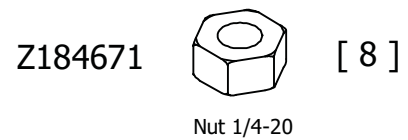
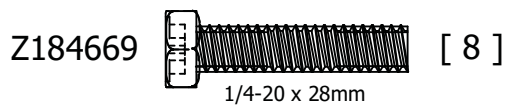
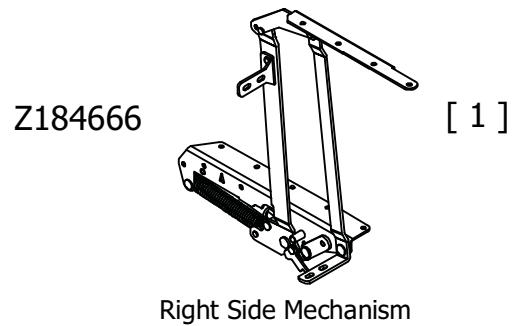
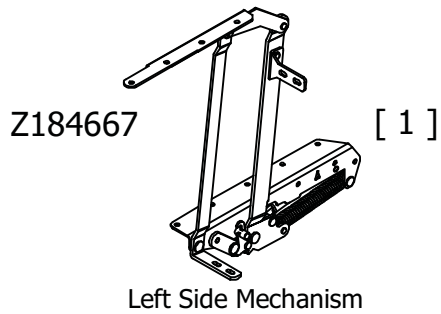


Get to know your Hardware

Hardware not to scale.

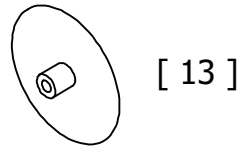


Q184665 Sit to Stand Mechanism



Get to know your Hardware

Hardware not to scale.



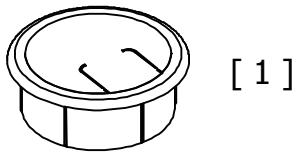
Cover Cap



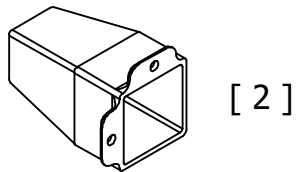
3mm



5mm

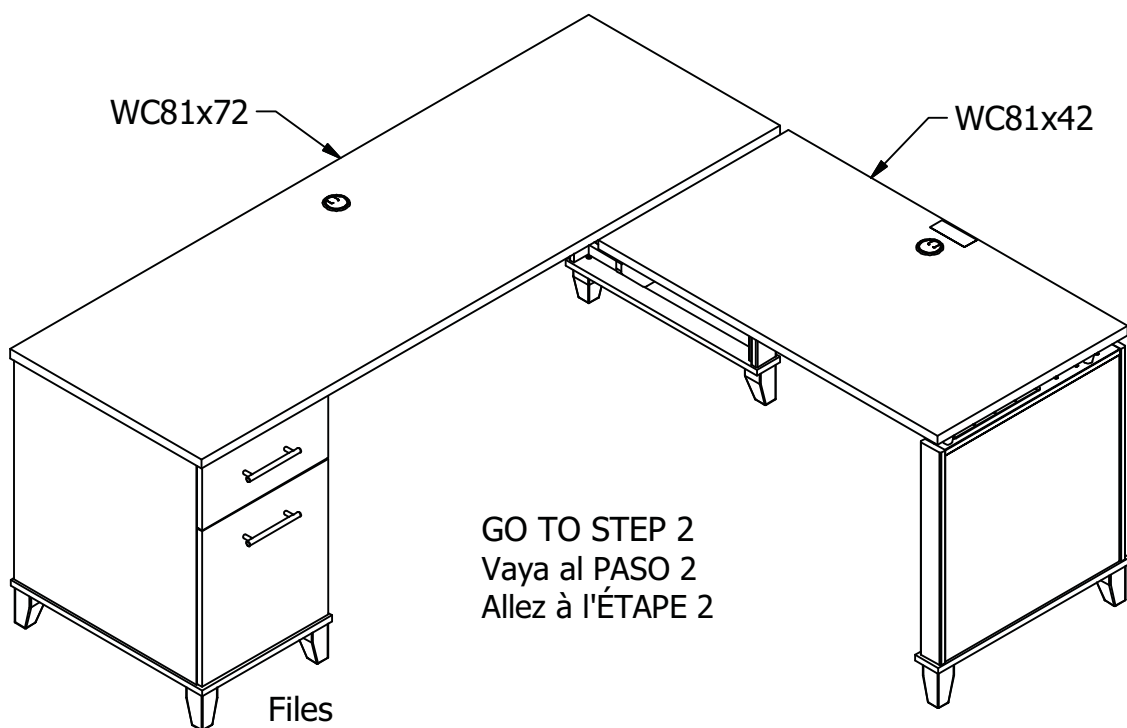


Grommet

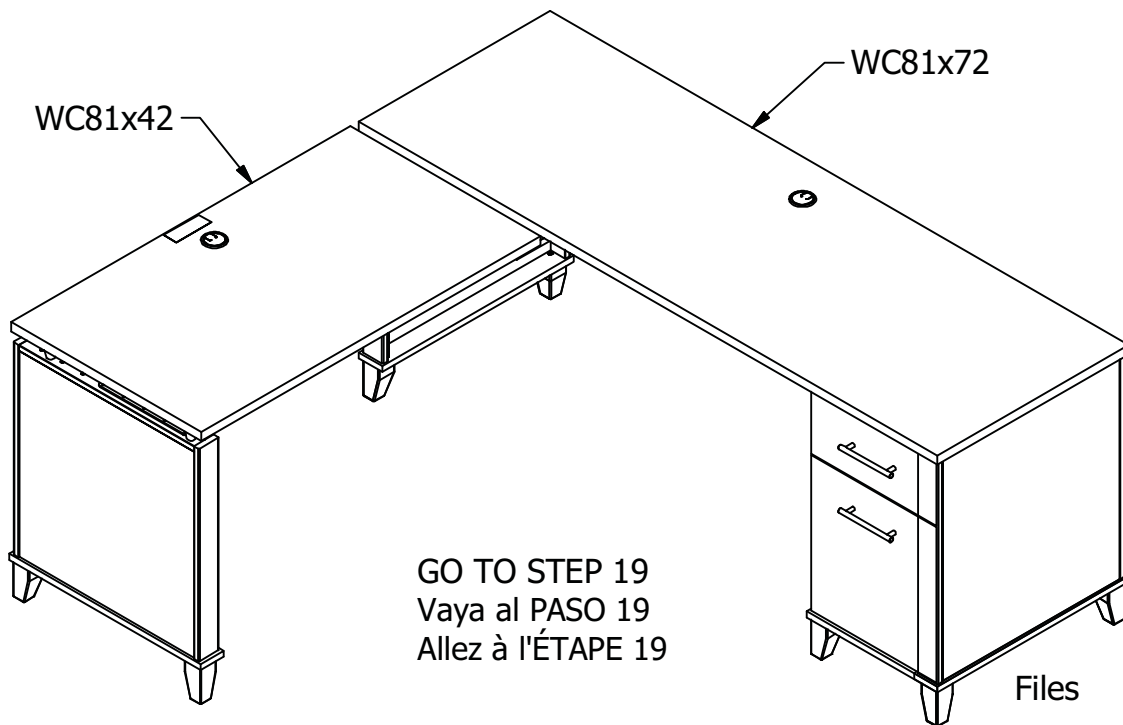


Foot

Option 1



Option 2

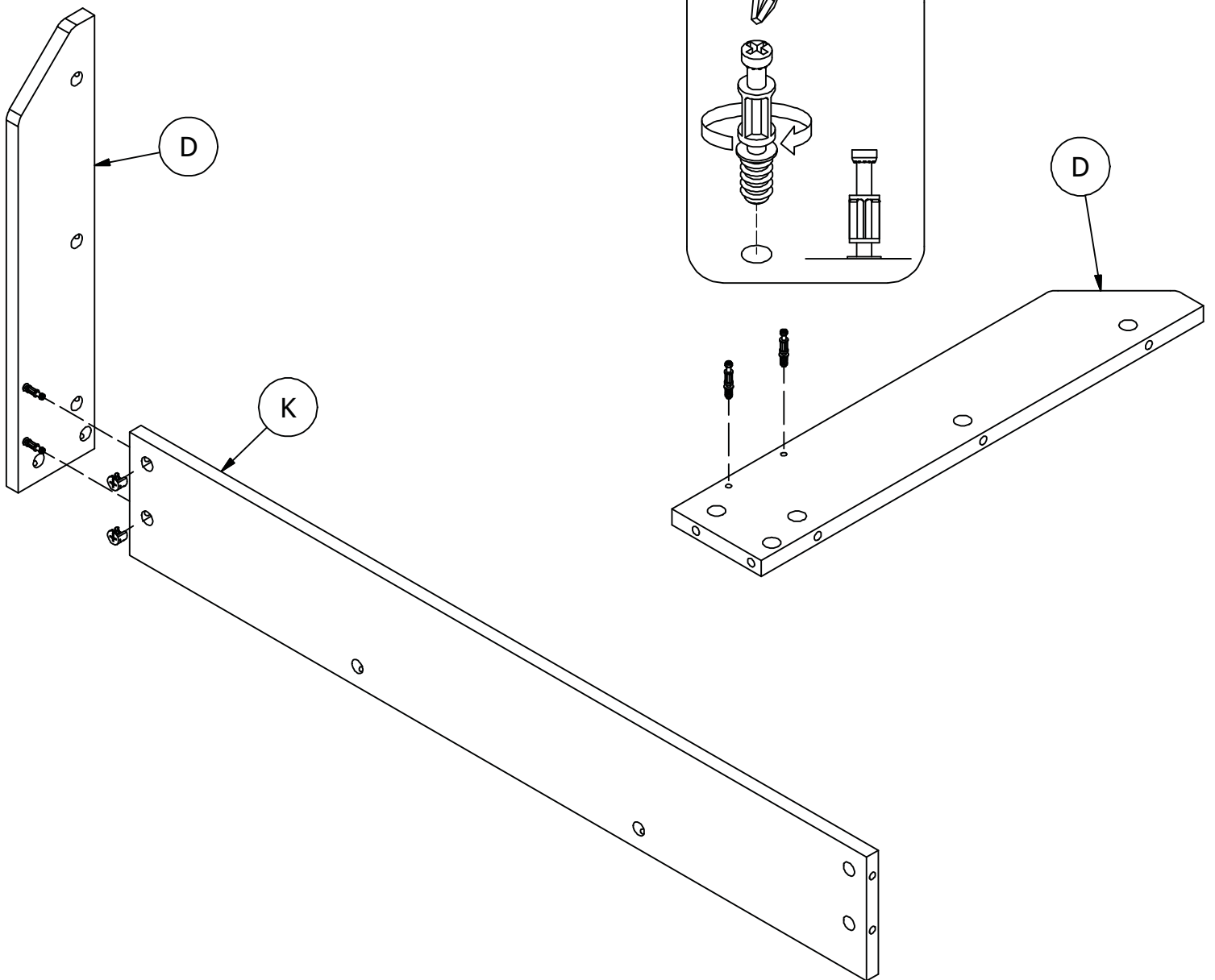
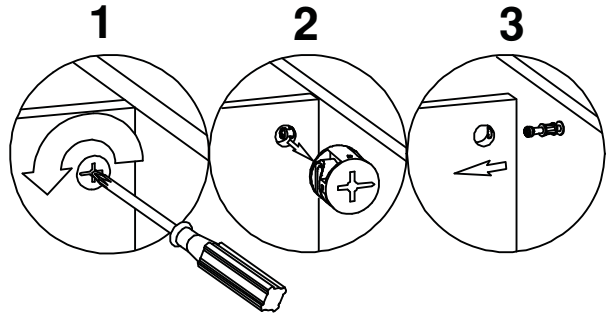


STEP 2

Prepare Rails

H72988 [2]
KD Bolt

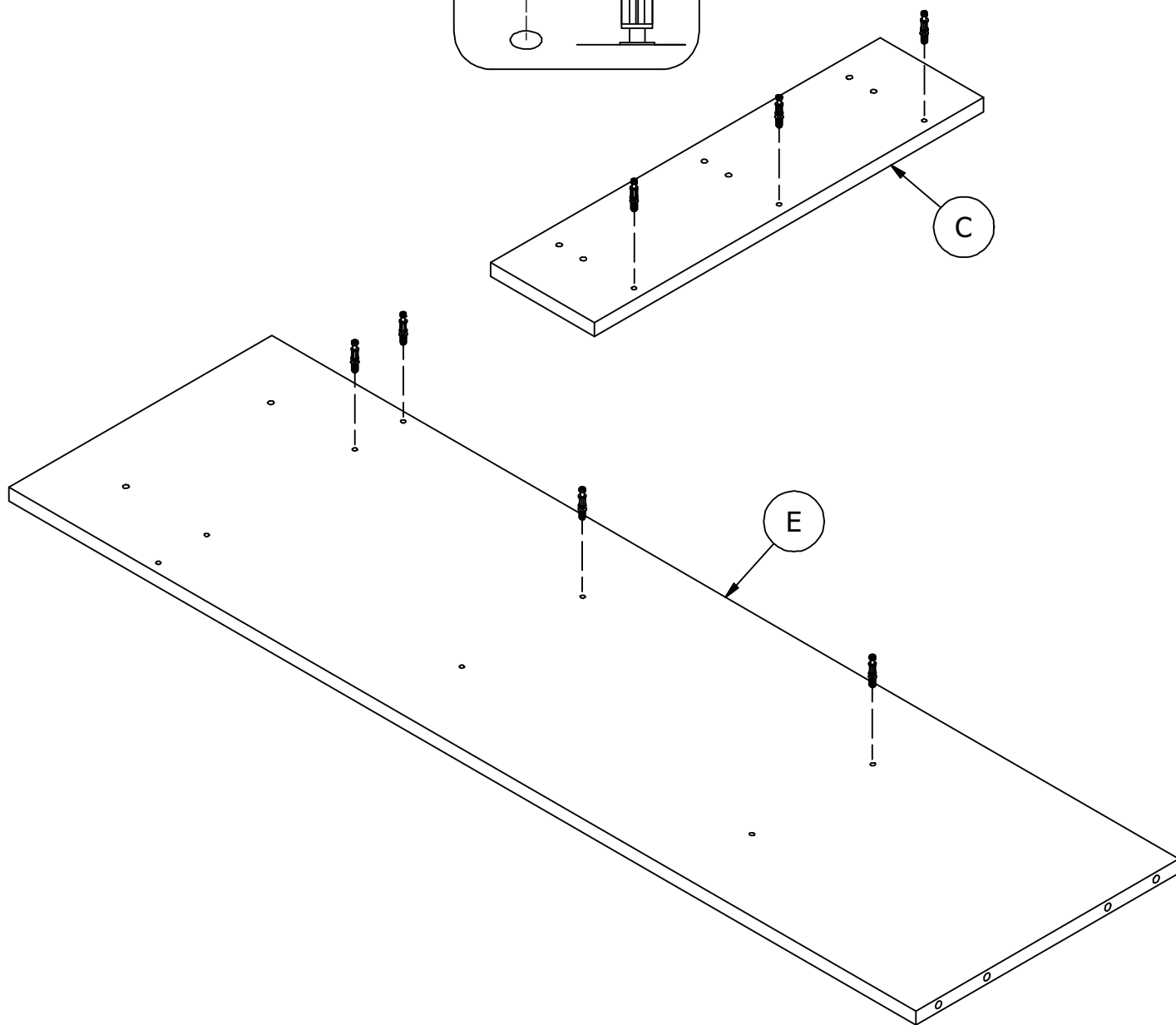
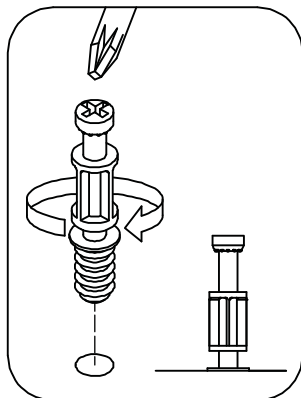
H71659 [2]
KD Cam



STEP 3

Prepare Panels

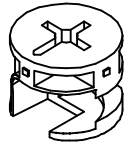
H72988 [7]
KD Bolt



STEP 4

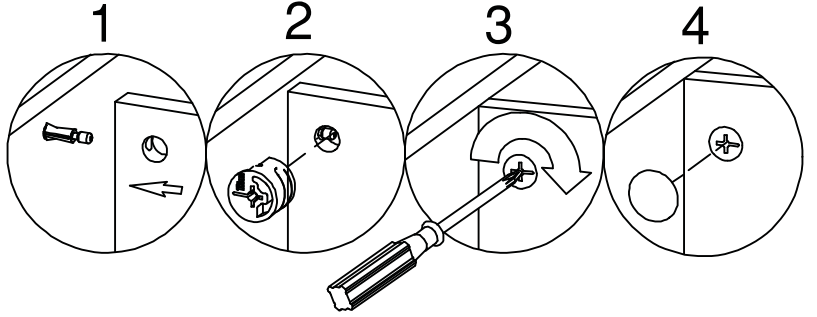
Assemble Side

H71659



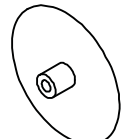
[4]

KD Cam



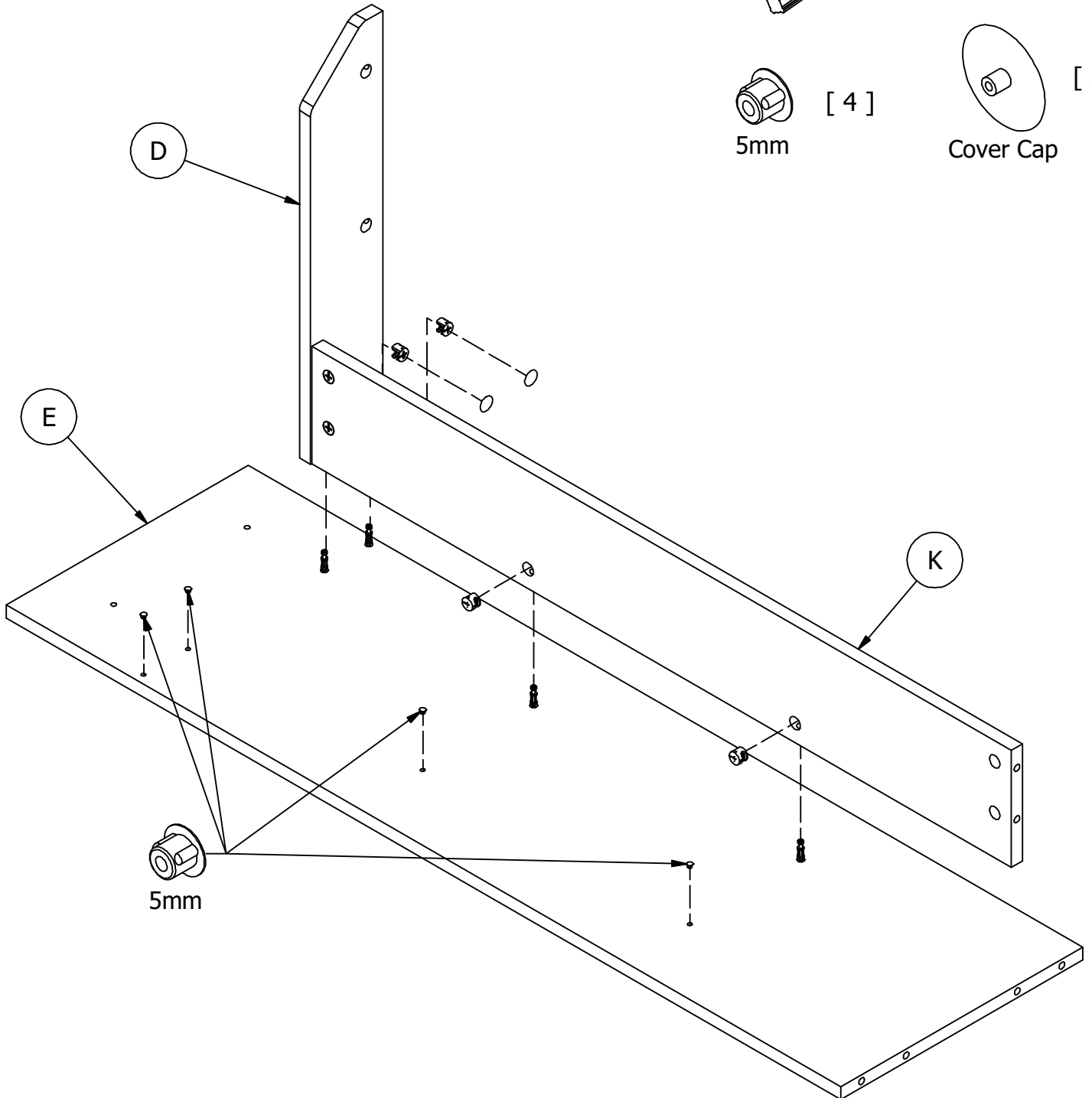
[4]

5mm



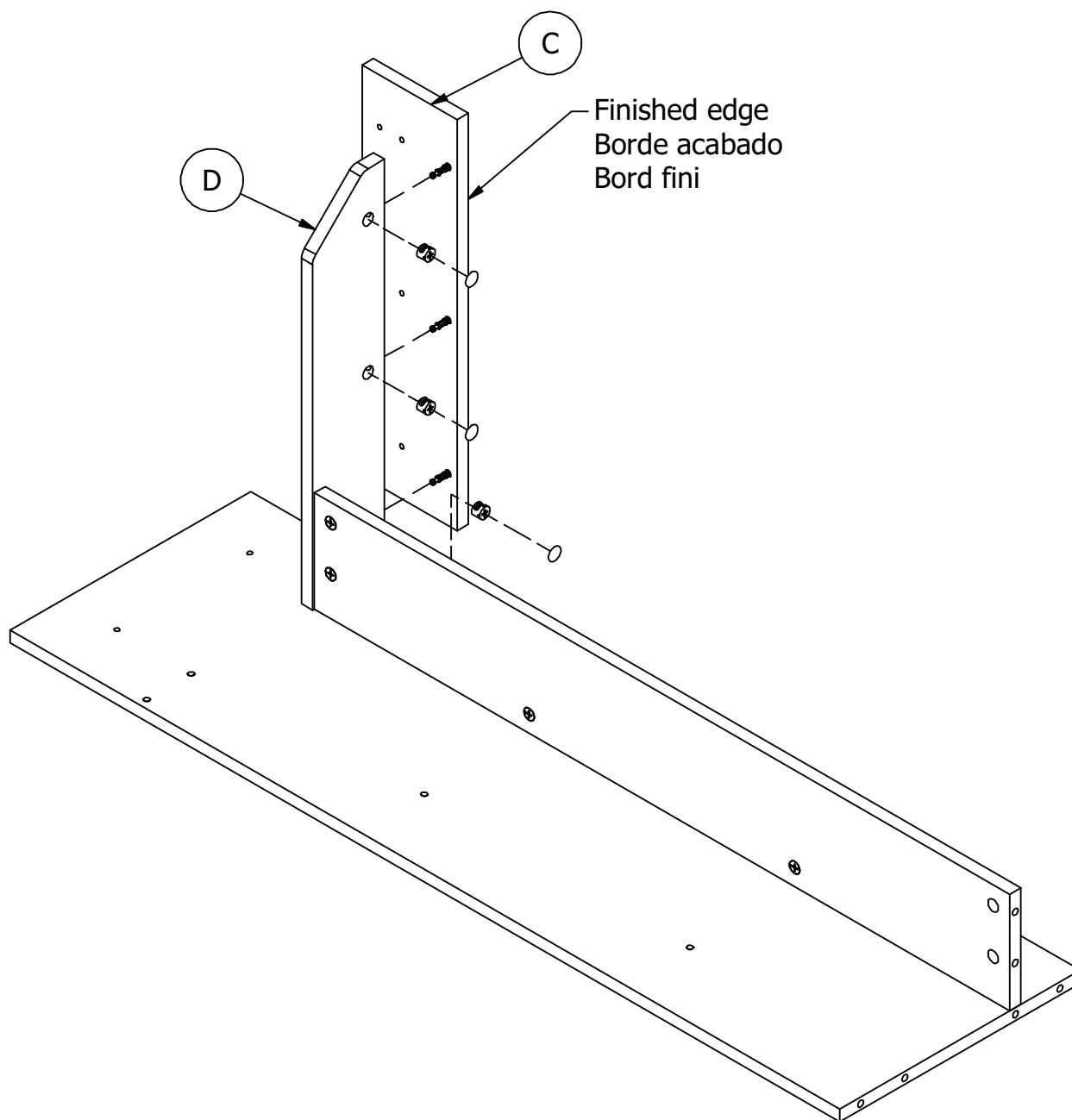
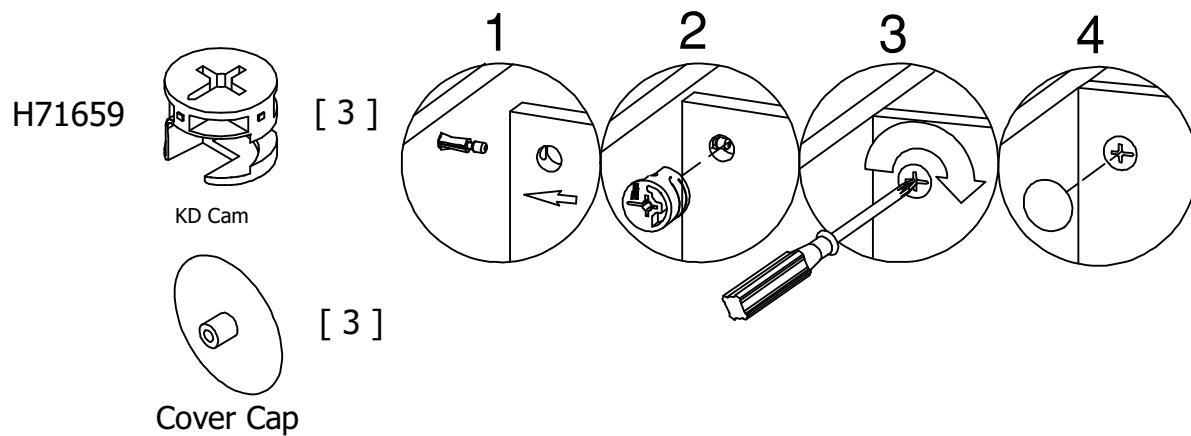
[2]

Cover Cap



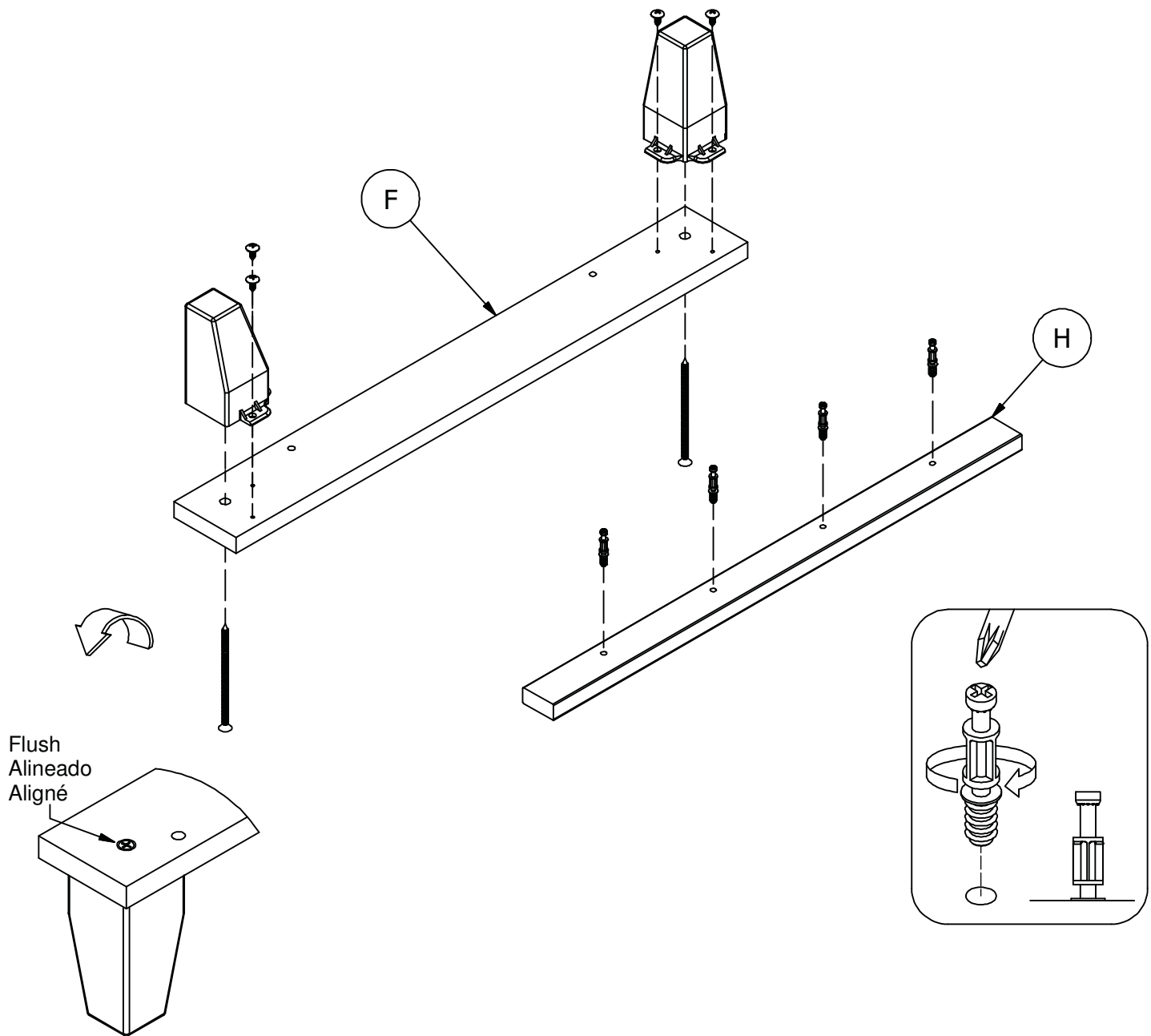
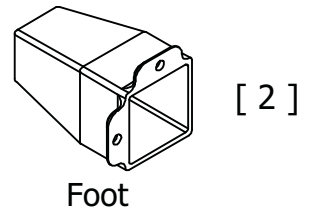
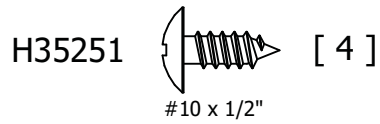
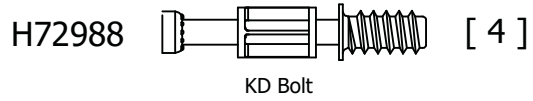
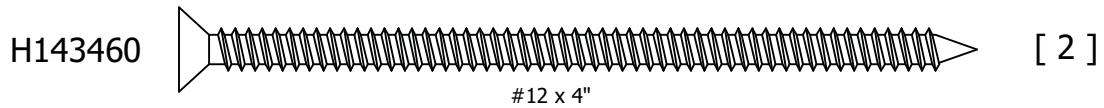
STEP 5

Assemble Side



STEP 6

Assembly Base



Flush
Alineado
Aligné

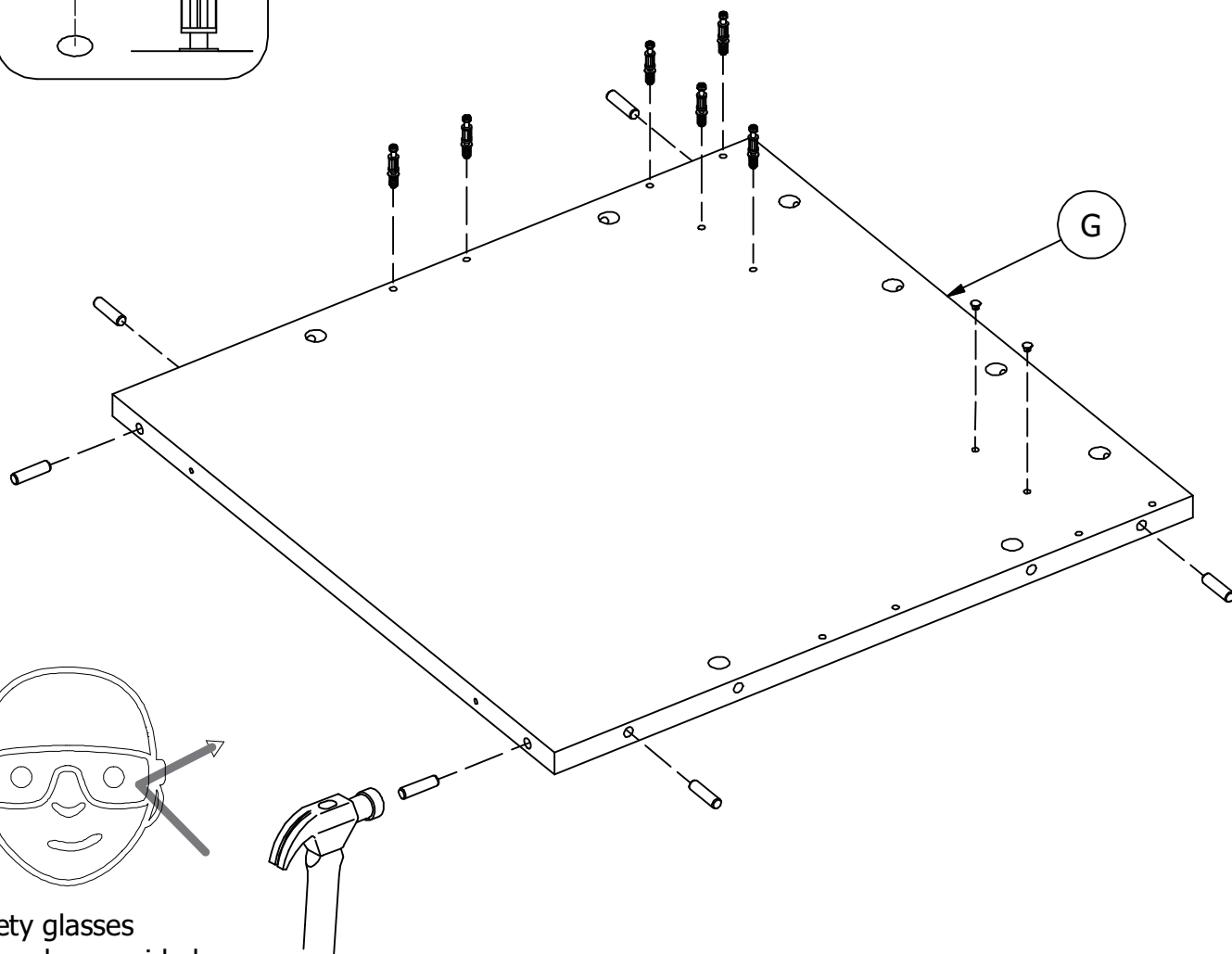
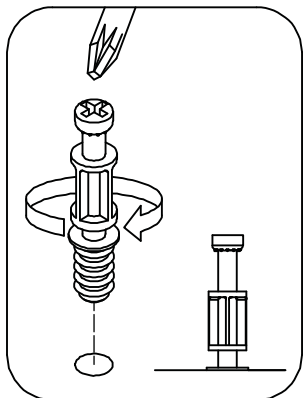
STEP 7

Prepare Side

H72988 [6]
KD Bolt

H38169 [6]
Wood Dowel 8 x 30

[2]
5mm

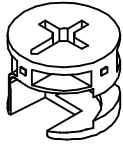



Safety glasses
Gafas de seguridad
Lunettes de protection

STEP 8

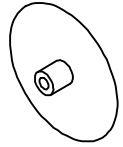
Assemble Leg

H71659



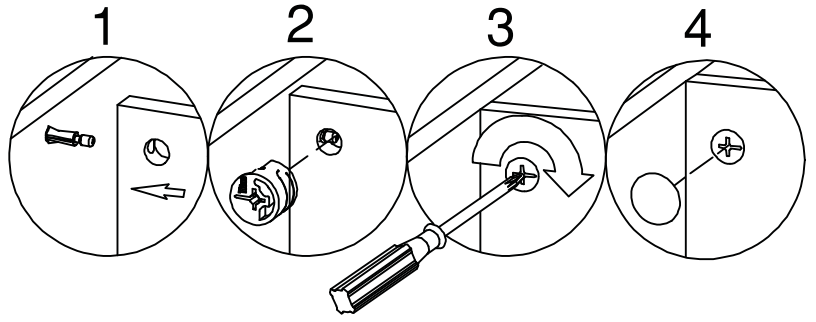
[4]

KD Cam

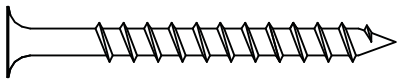


[4]

Cover Cap

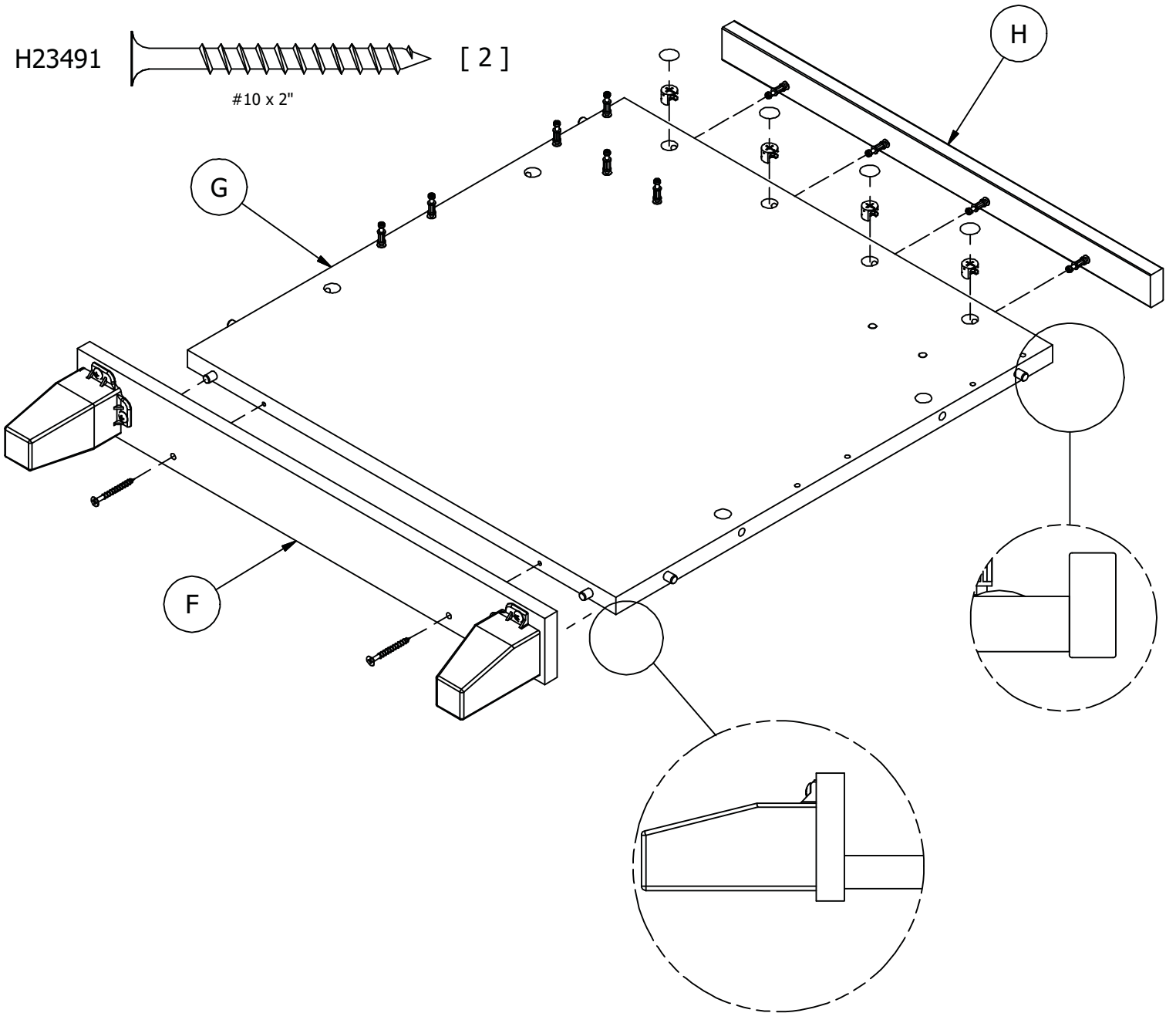


H23491



[2]

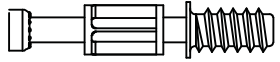
#10 x 2"



STEP 9

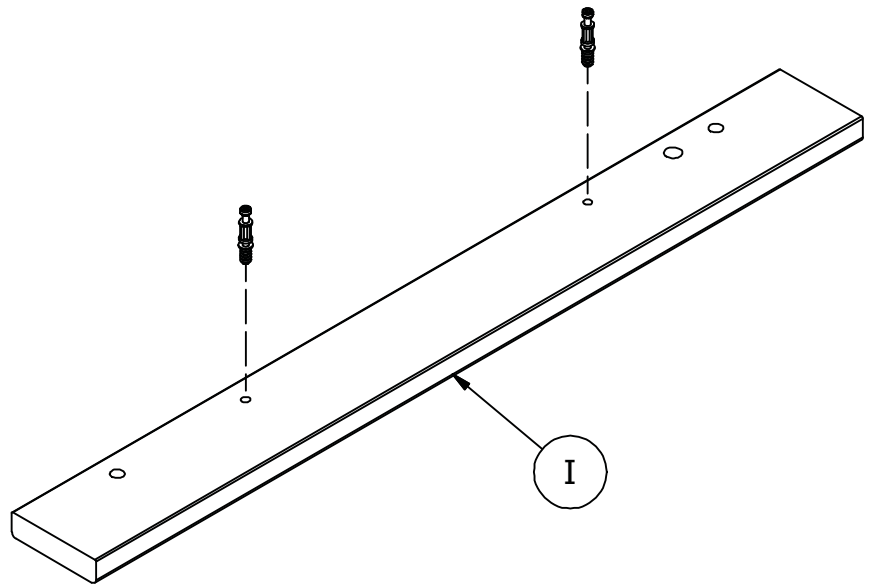
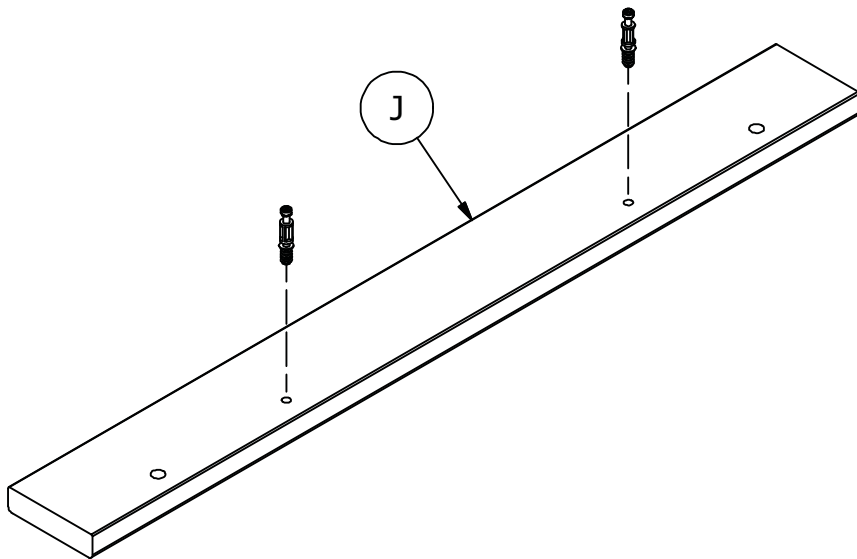
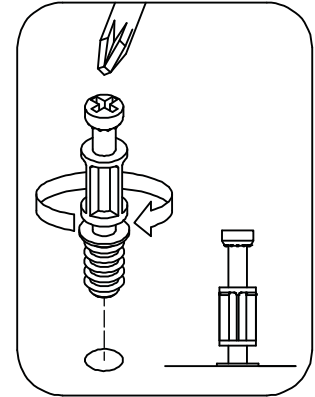
Prepare Rails

H72988



[4]

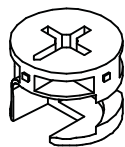
KD Bolt



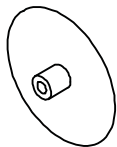
STEP 10

Assemble Modesty Panel

H71659 [6]

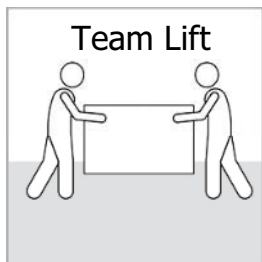
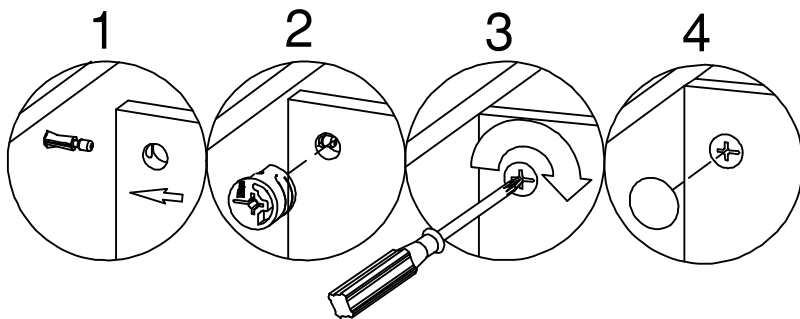


KD Cam

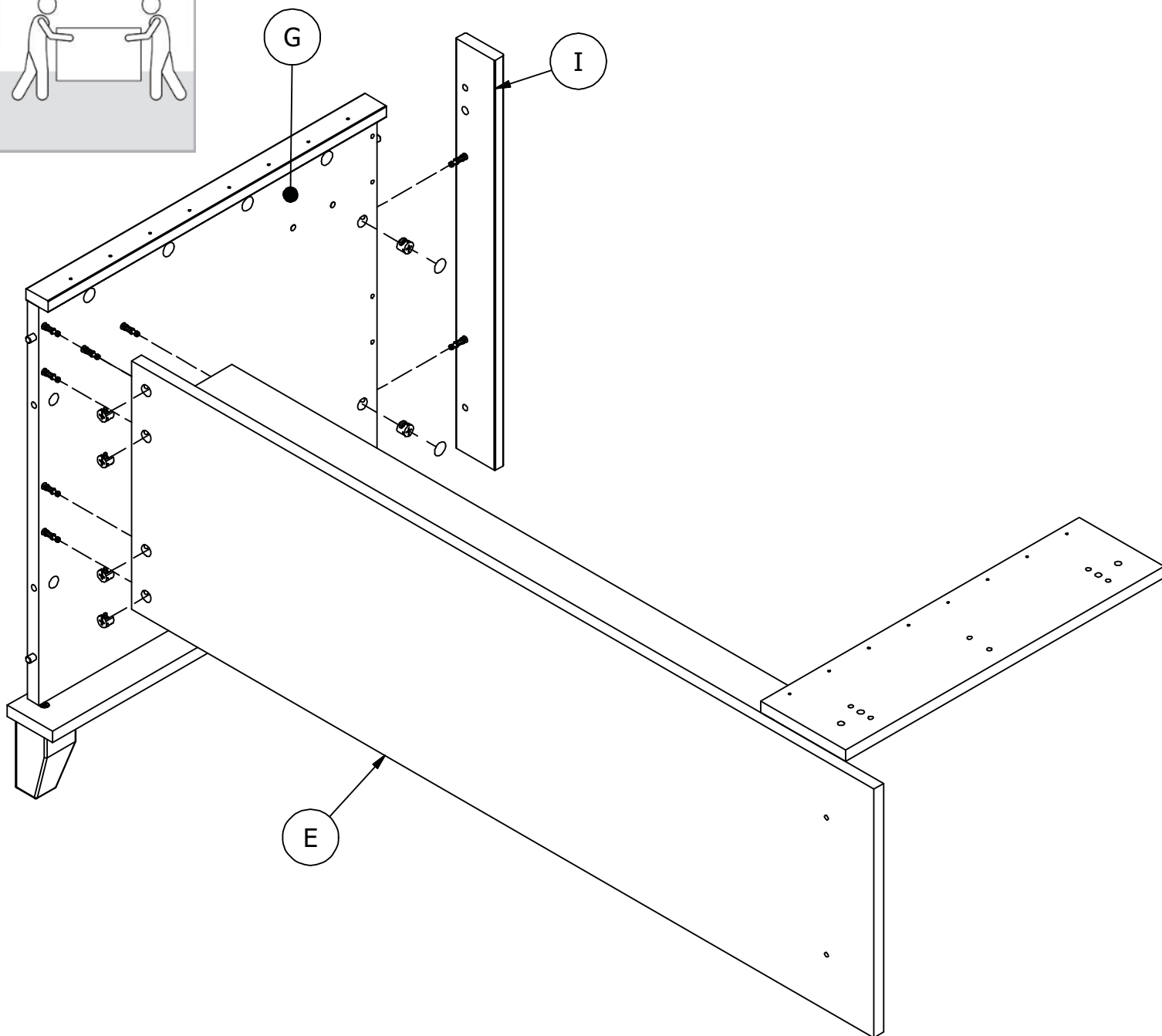


[2]

Cover Cap



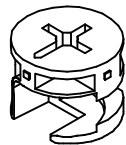
Team Lift



STEP 11

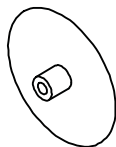
Assemble Modesty Panel

H71659



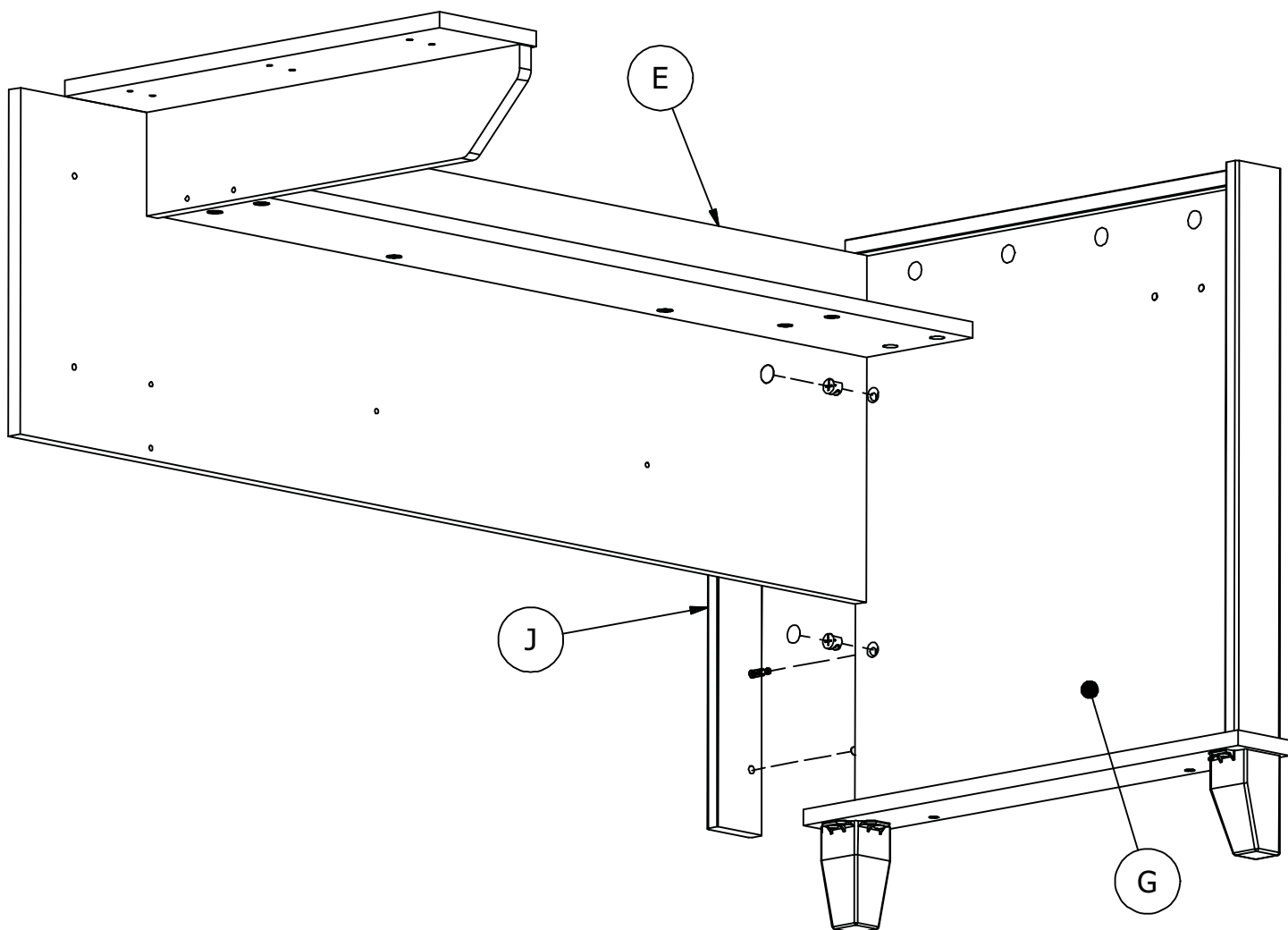
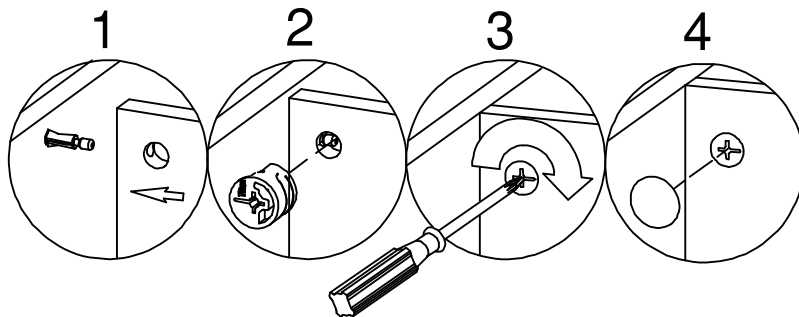
[4]

KD Cam



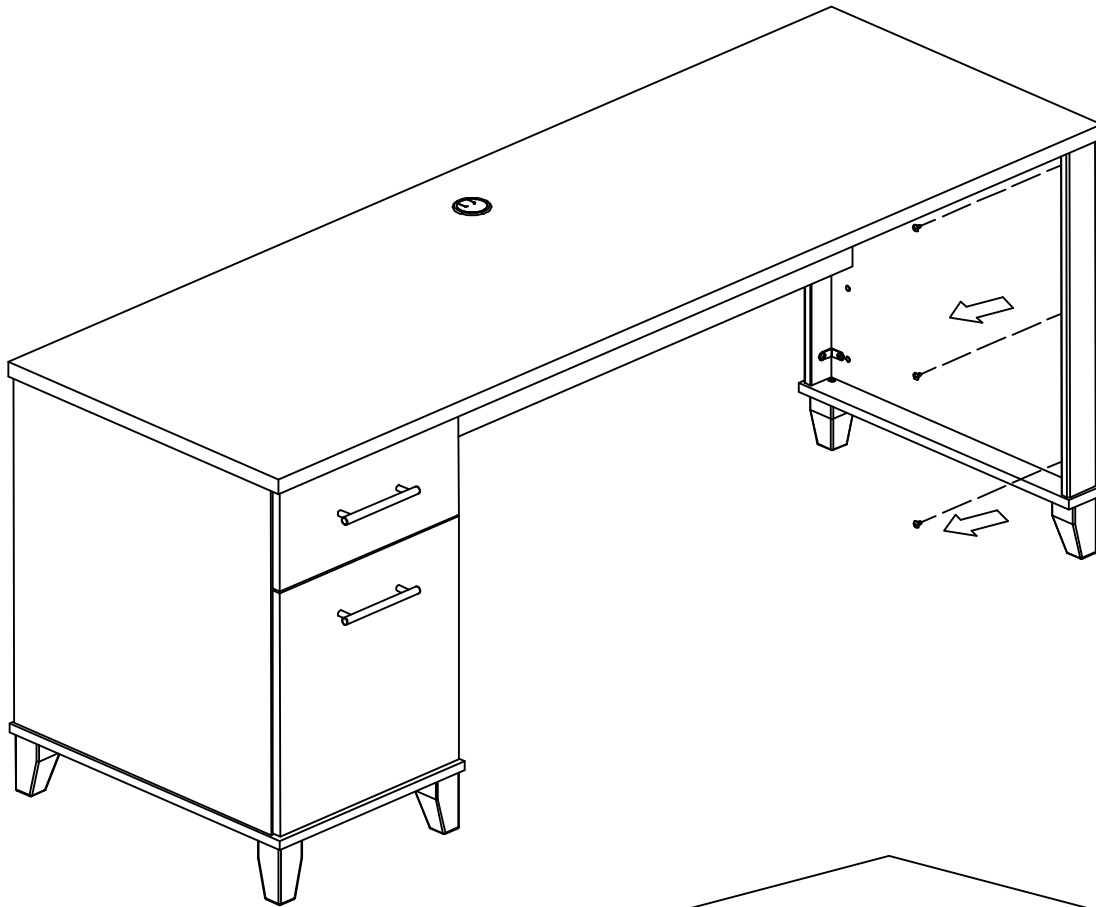
[2]

Cover Cap

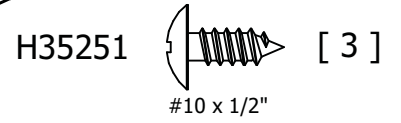


STEP 12

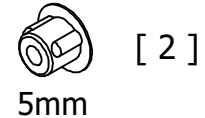
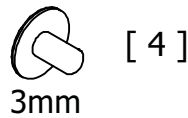
Remove Rail



Remove & Discard
Eliminar y desechar
Supprimer et rejeter



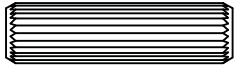
Remove & Discard
Eliminar y desechar
Supprimer et rejeter



STEP 13

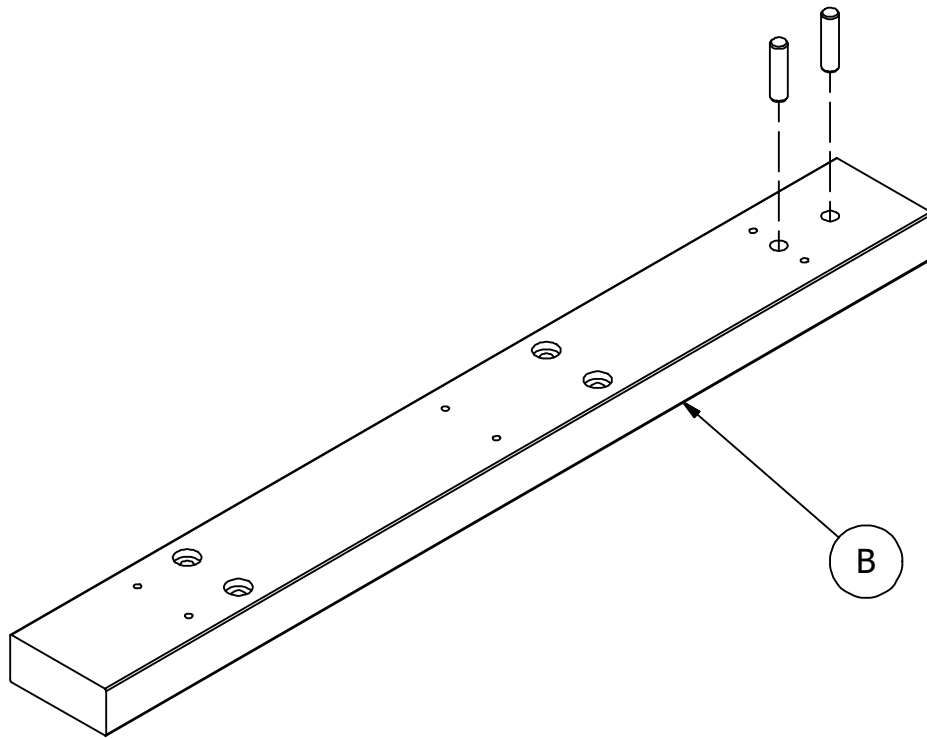
Prepare Rail

H38169



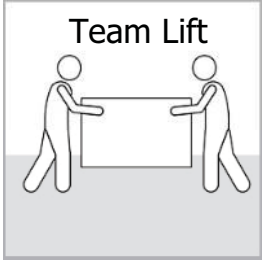
[2]

Wood Dowel 8 x 30

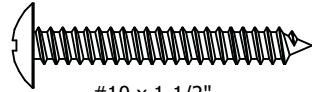


STEP 14

Attach Rail

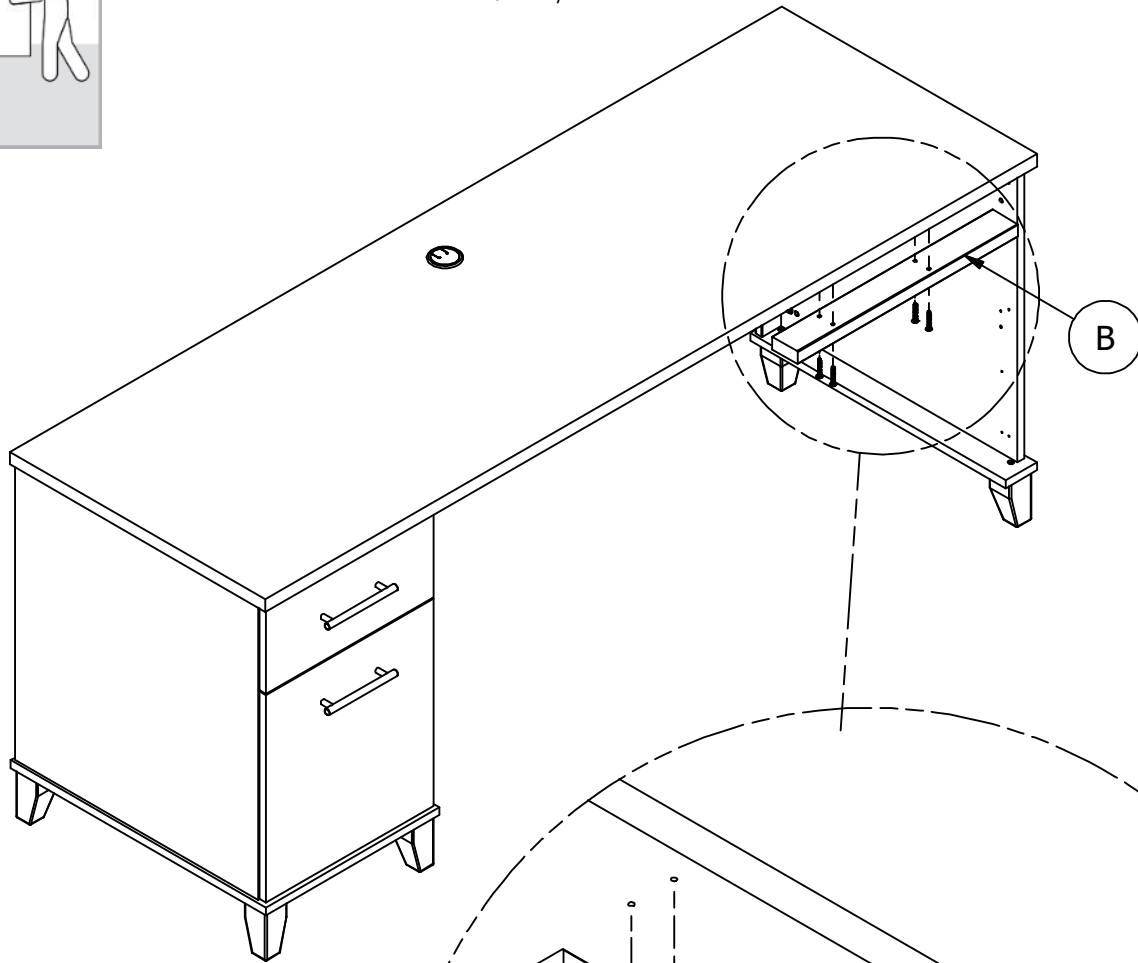


H23468

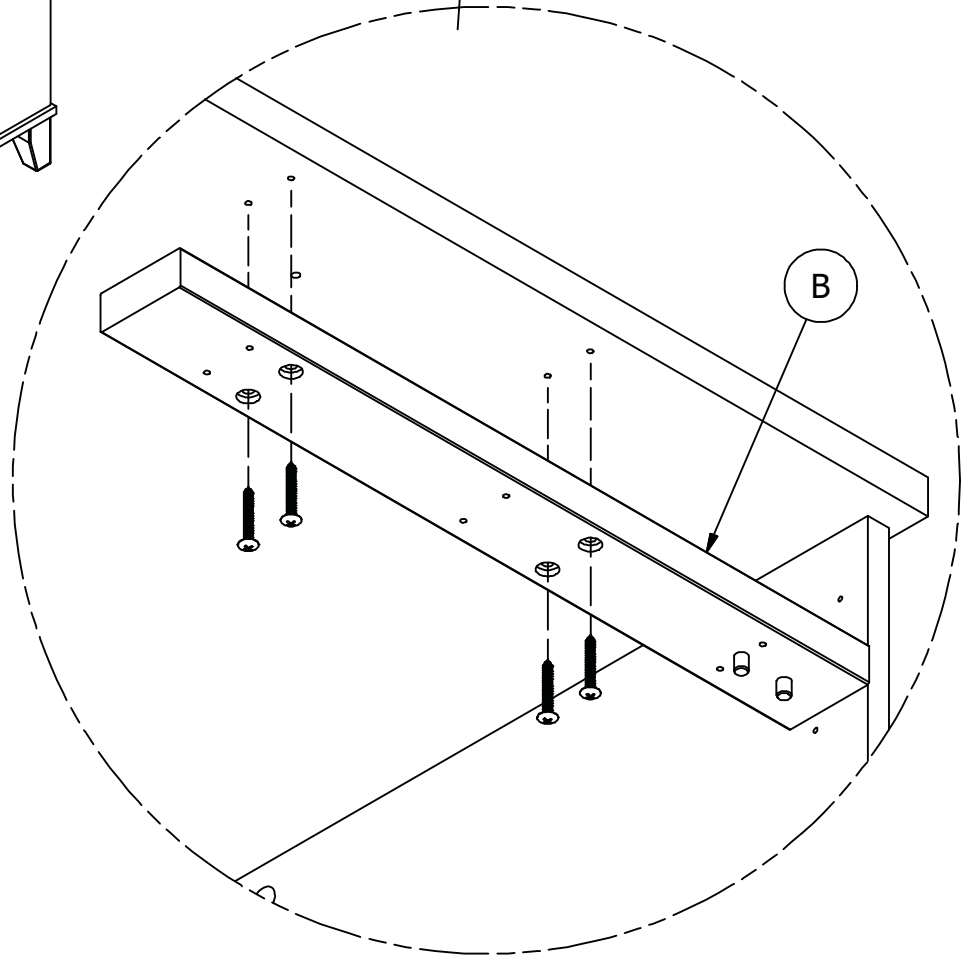


[4]

#10 x 1-1/2"



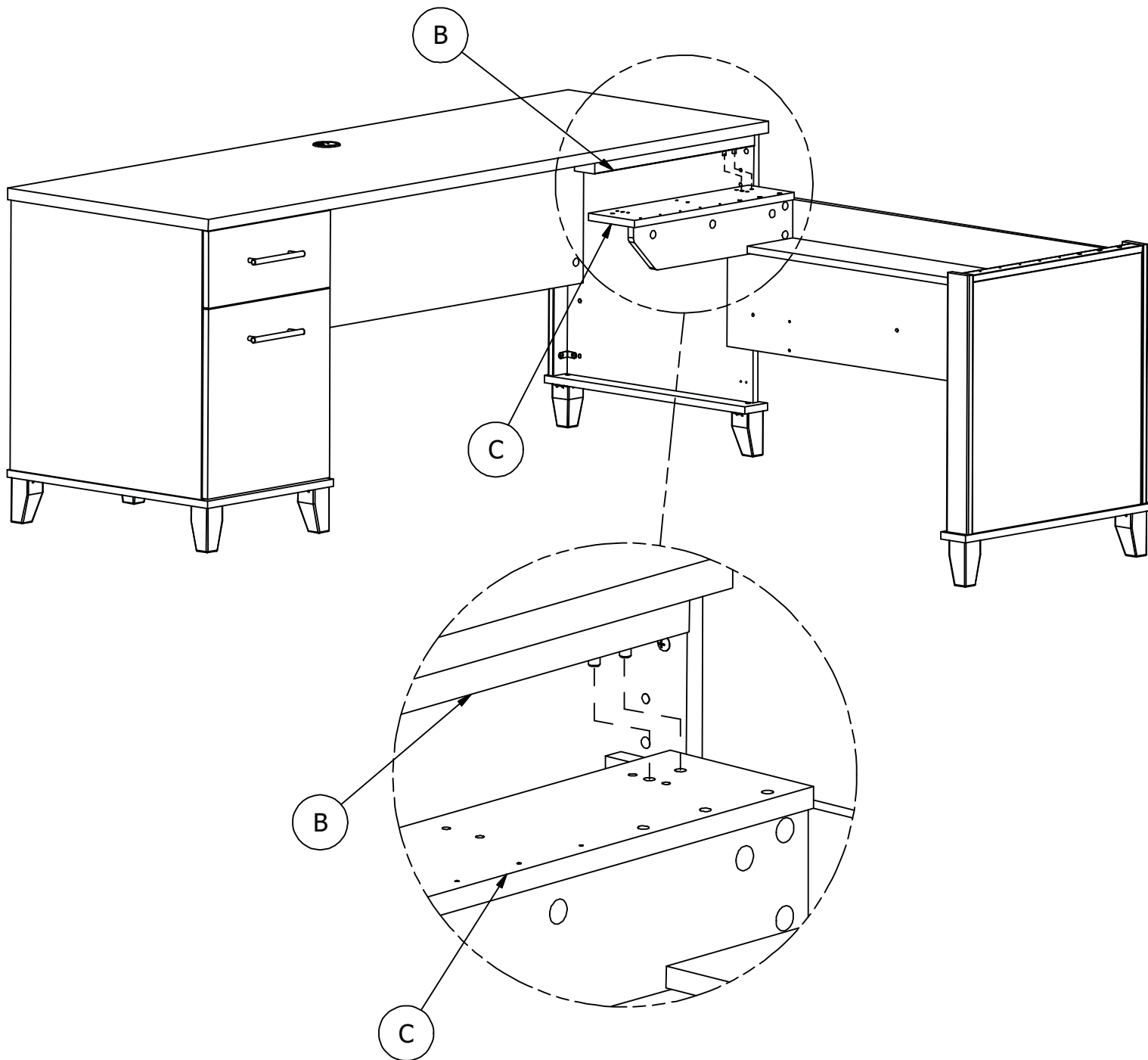
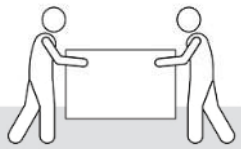
Assemble in final location.
Arme la unidad en el lugar destinado.
Assemblez en position finale



STEP 15


Assemble Panel

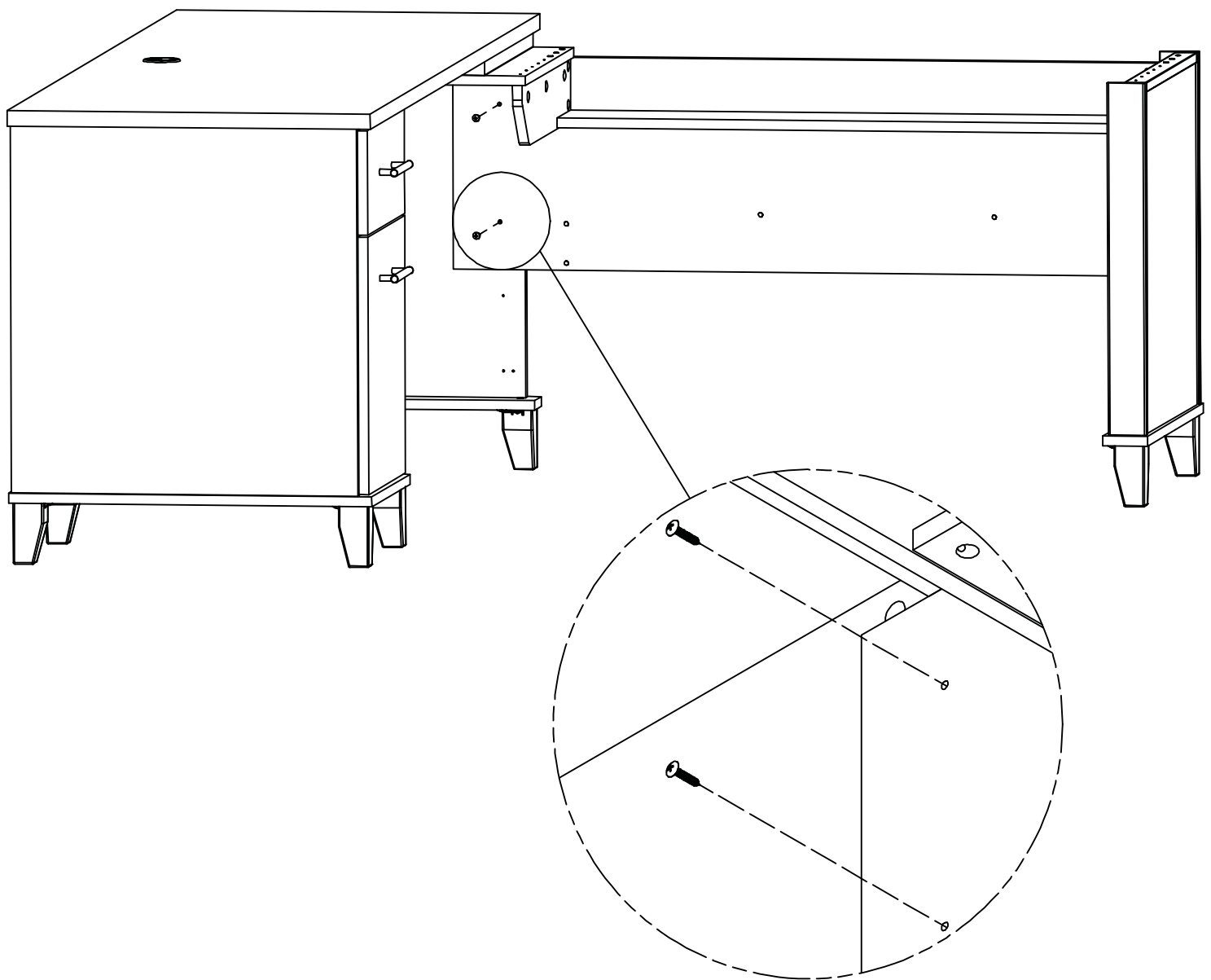
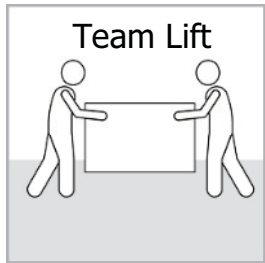
Team Lift



STEP 16

Assemble Panel

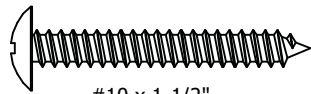
H23682  [2]
#10 x 1"



STEP 17

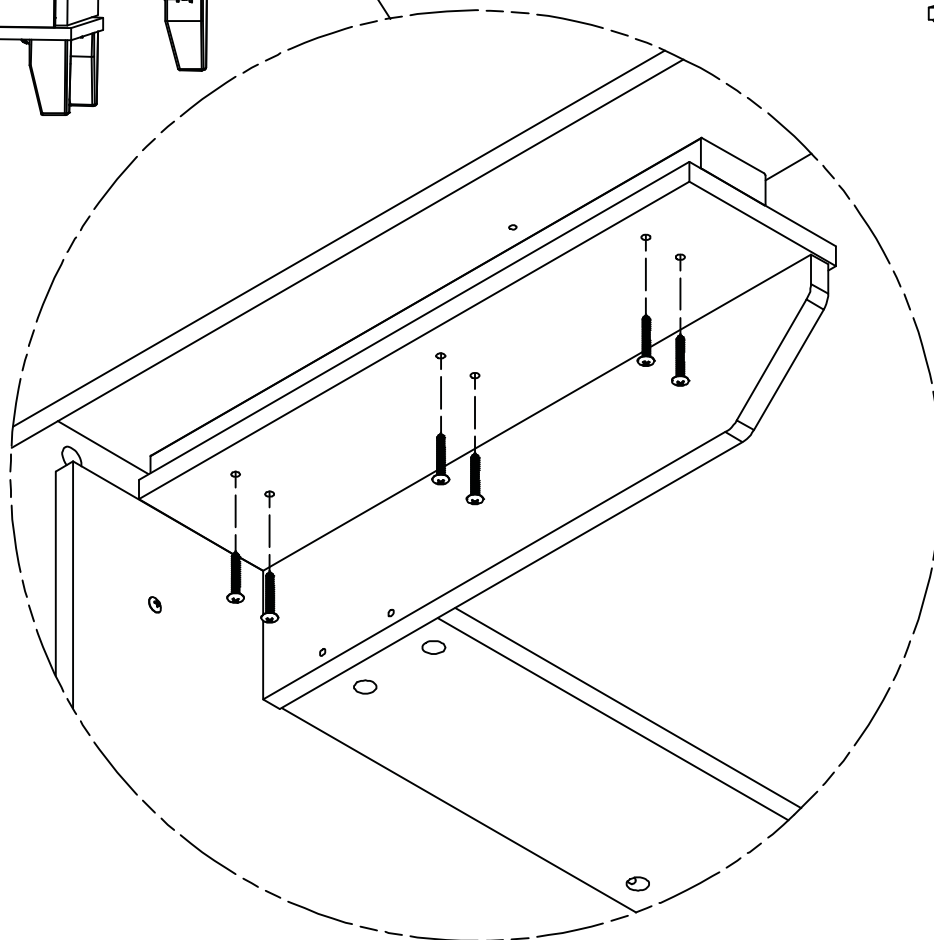
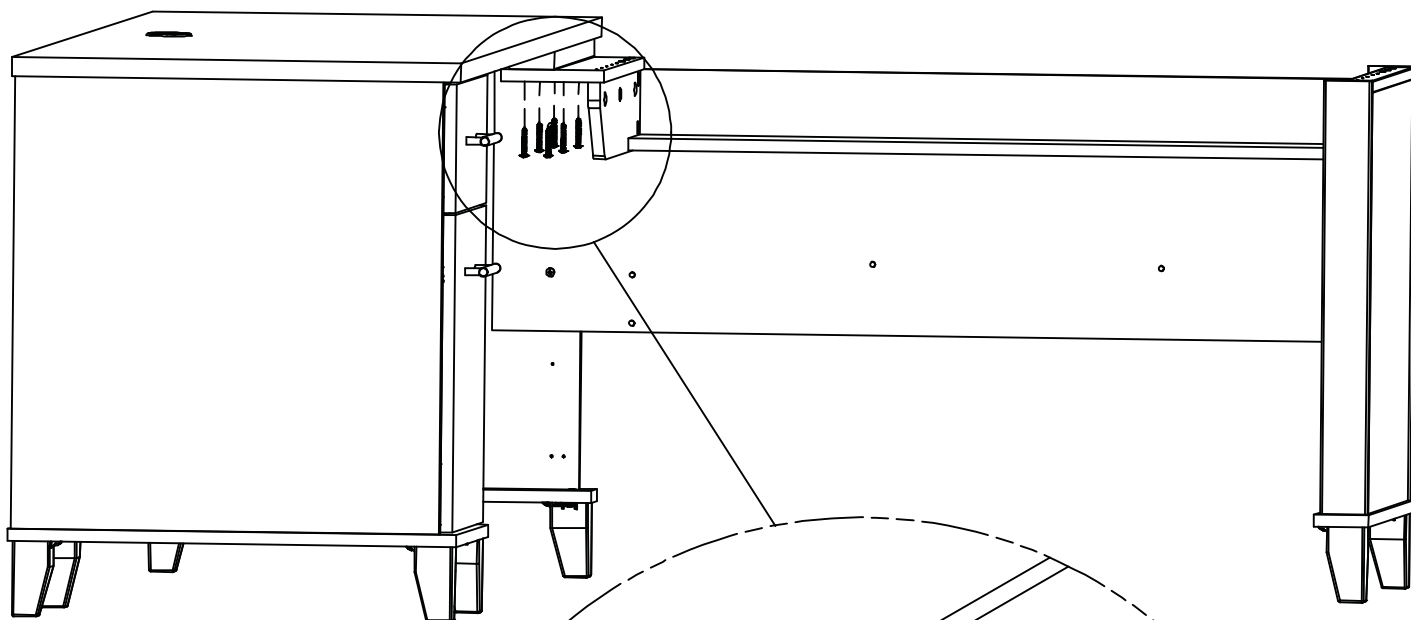
Assemble Panel

H23468



[6]

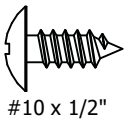
#10 x 1-1/2"



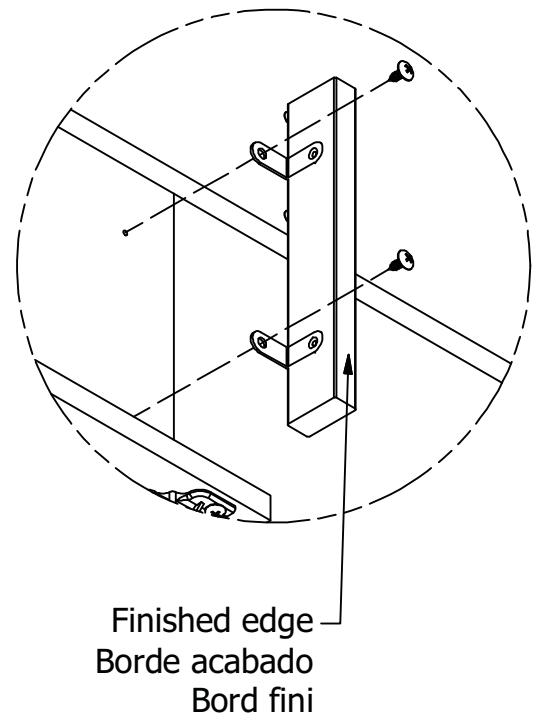
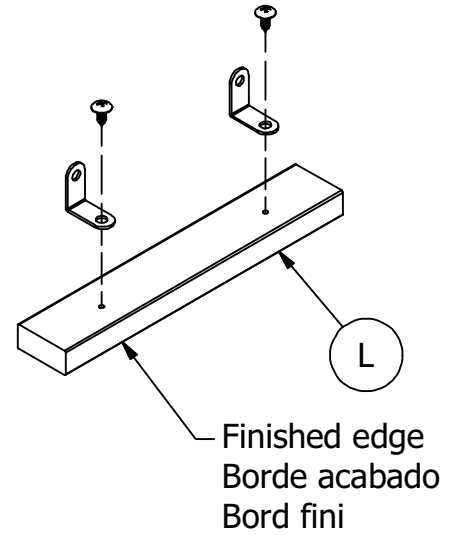
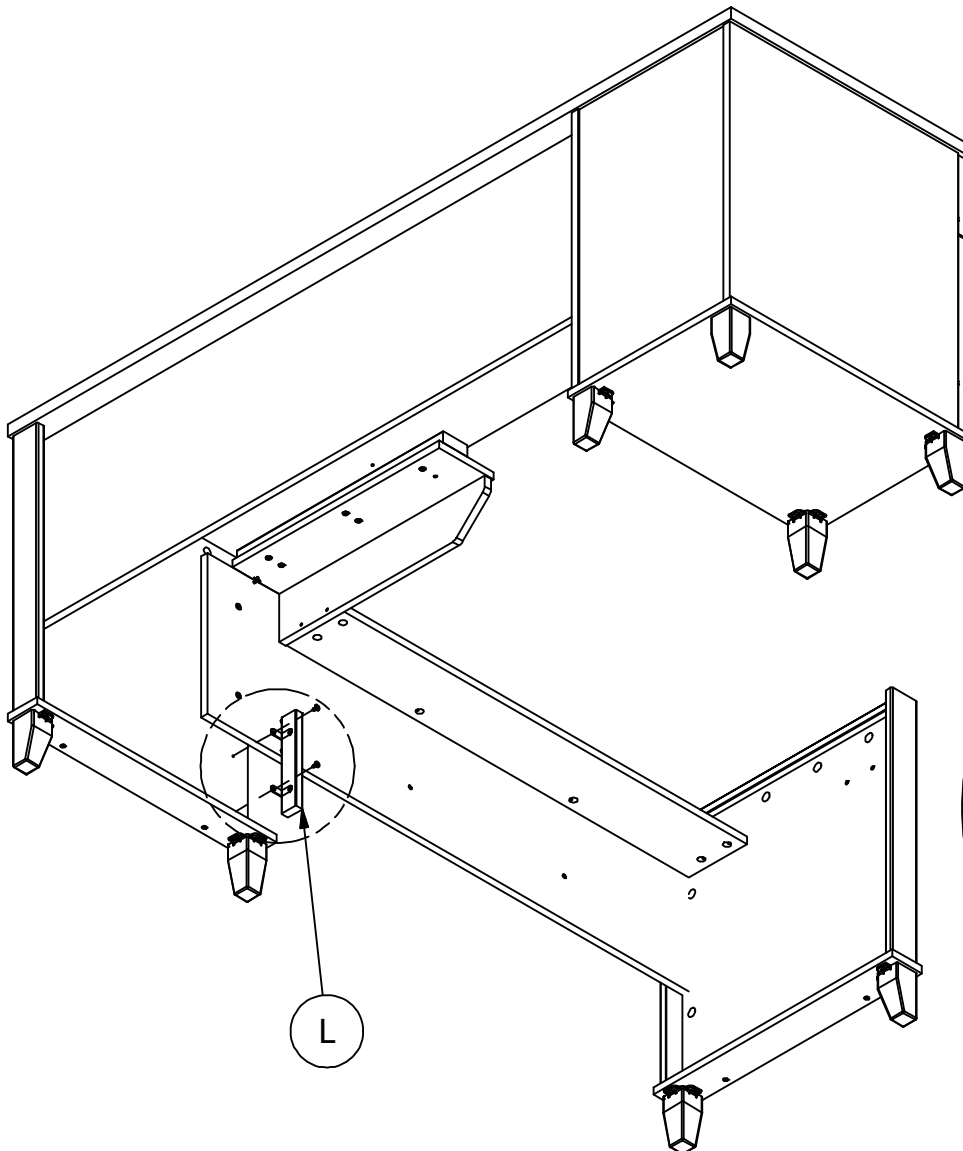
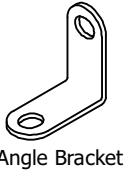
STEP 18

Assemble Rail

H35251 [4]
#10 x 1/2"



H67187 [2]
Angle Bracket

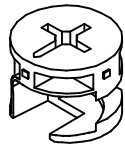


Go to Step 36.
Proceda al paso 36.
Allez à l'étape 36.

STEP 19

Assemble Rail

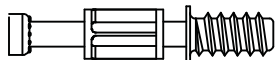
H71659



[2]

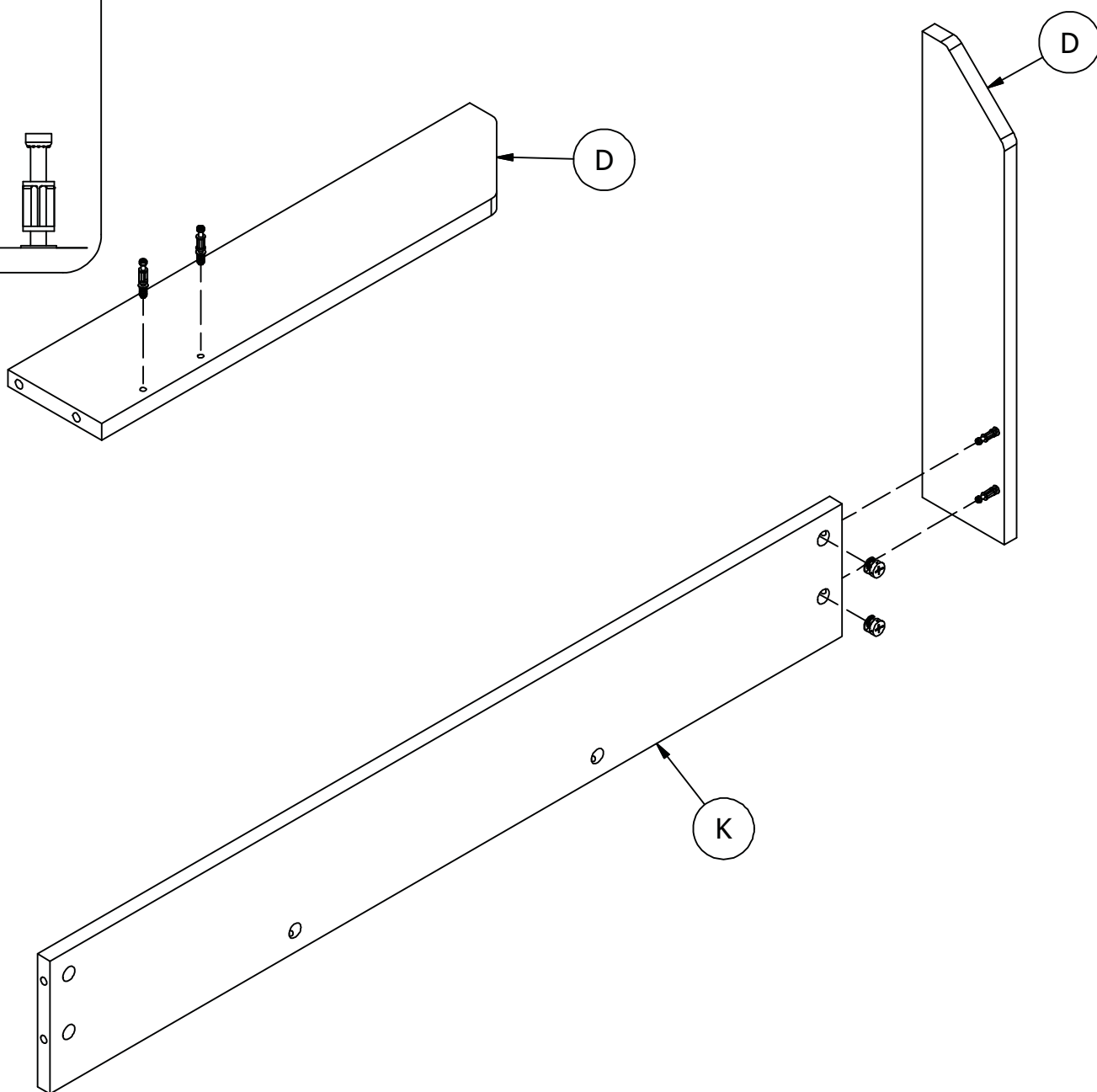
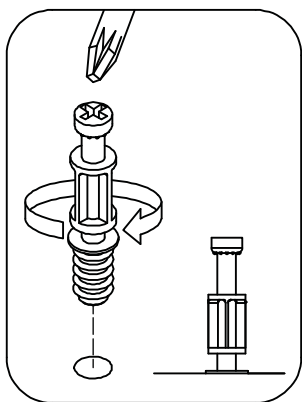
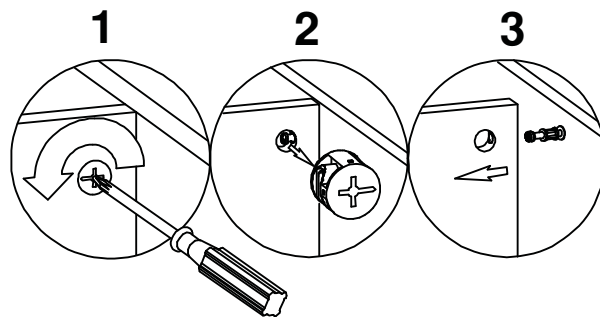
KD Cam

H72988



[2]

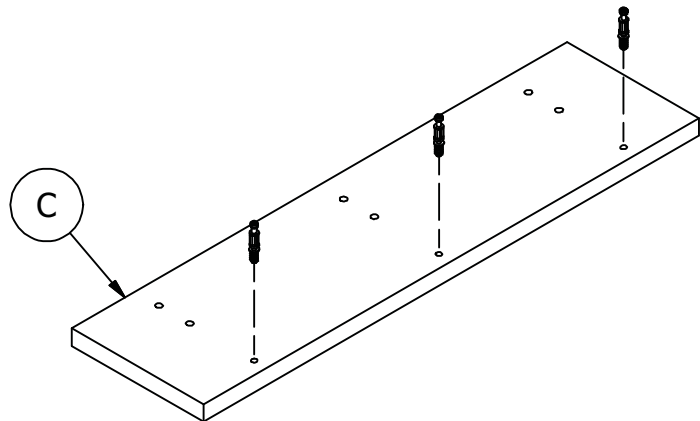
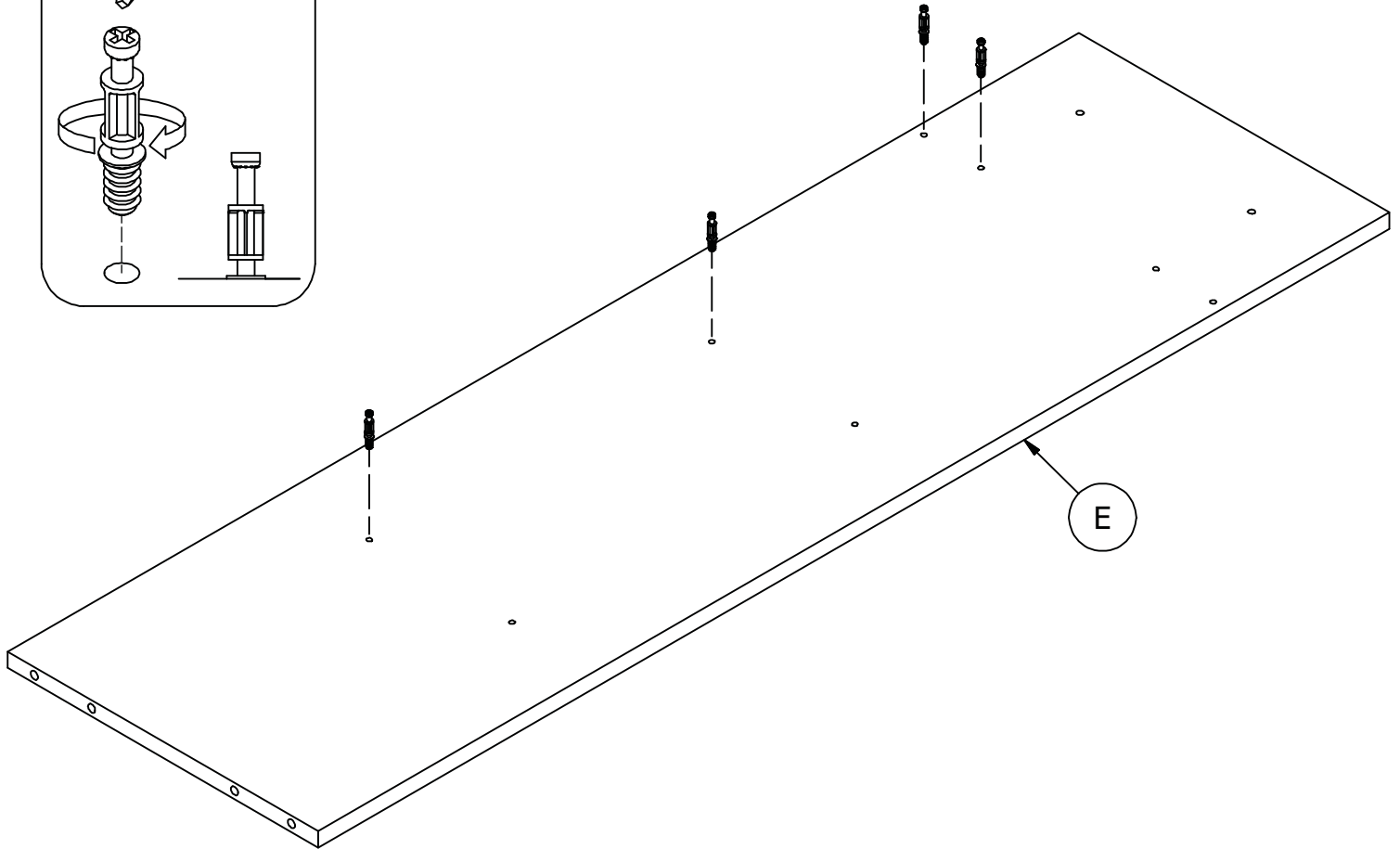
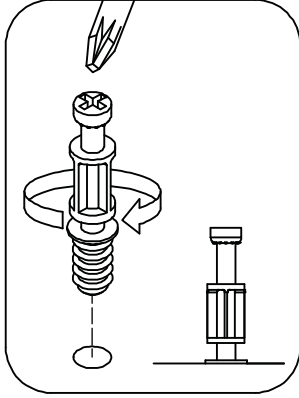
KD Bolt



STEP 20

Prepare Panel

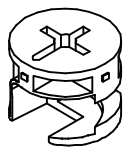
H72988 [7]
KD Bolt



STEP 21

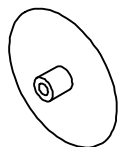
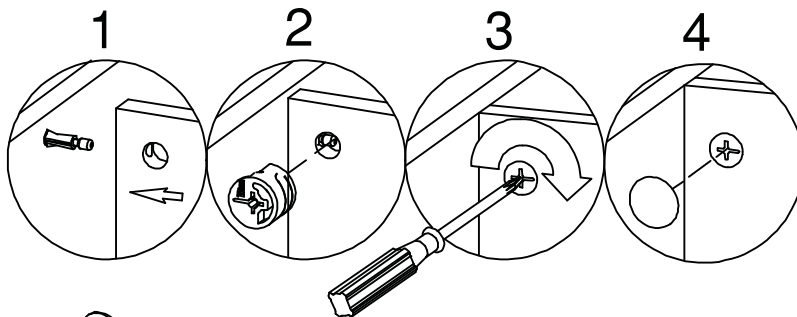
Assemble Panel

H71659



KD Cam

[4]



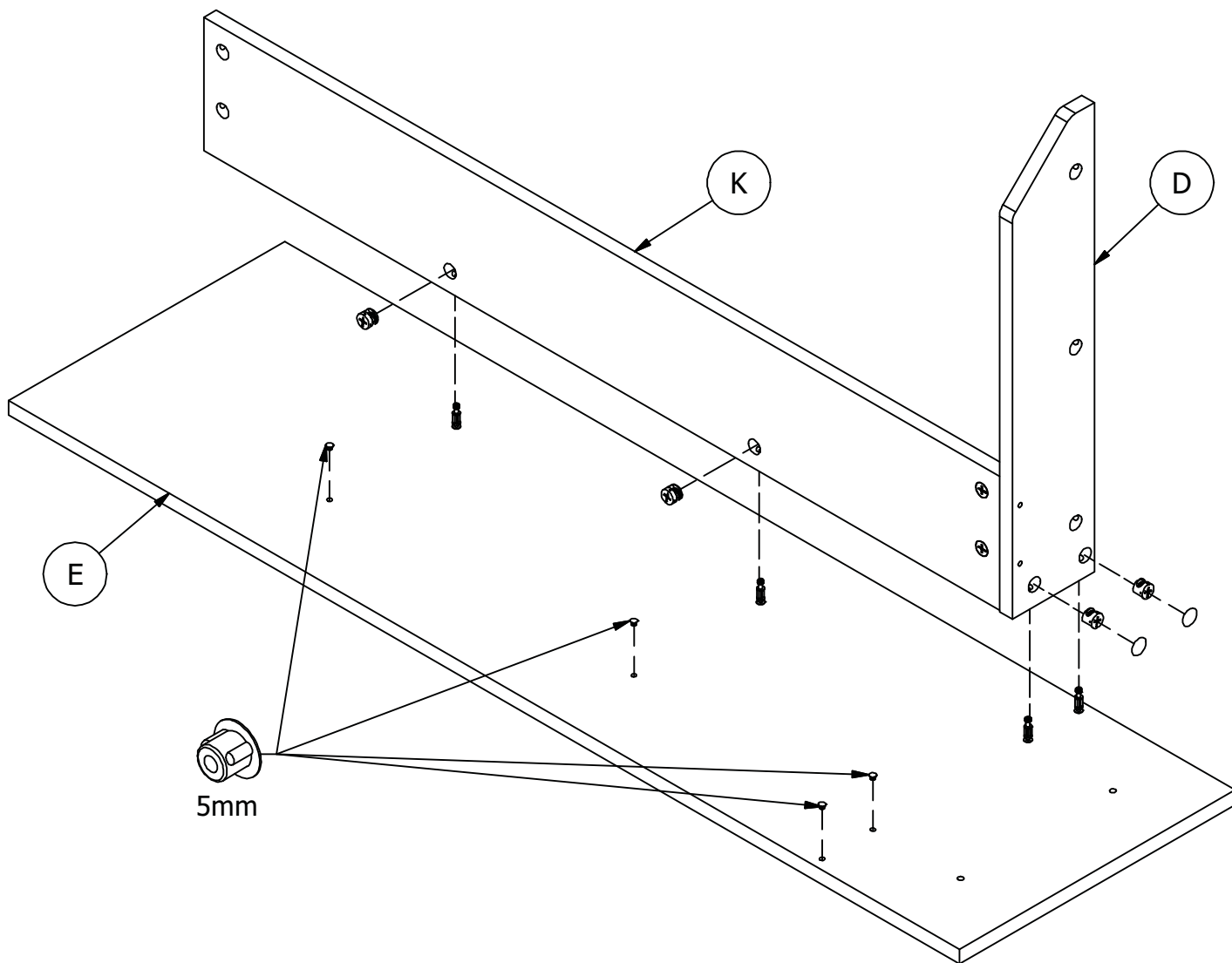
Cover Cap

[2]



5mm

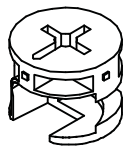
[4]



STEP 22

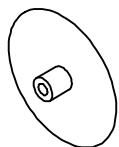
Assemble Panel

H71659



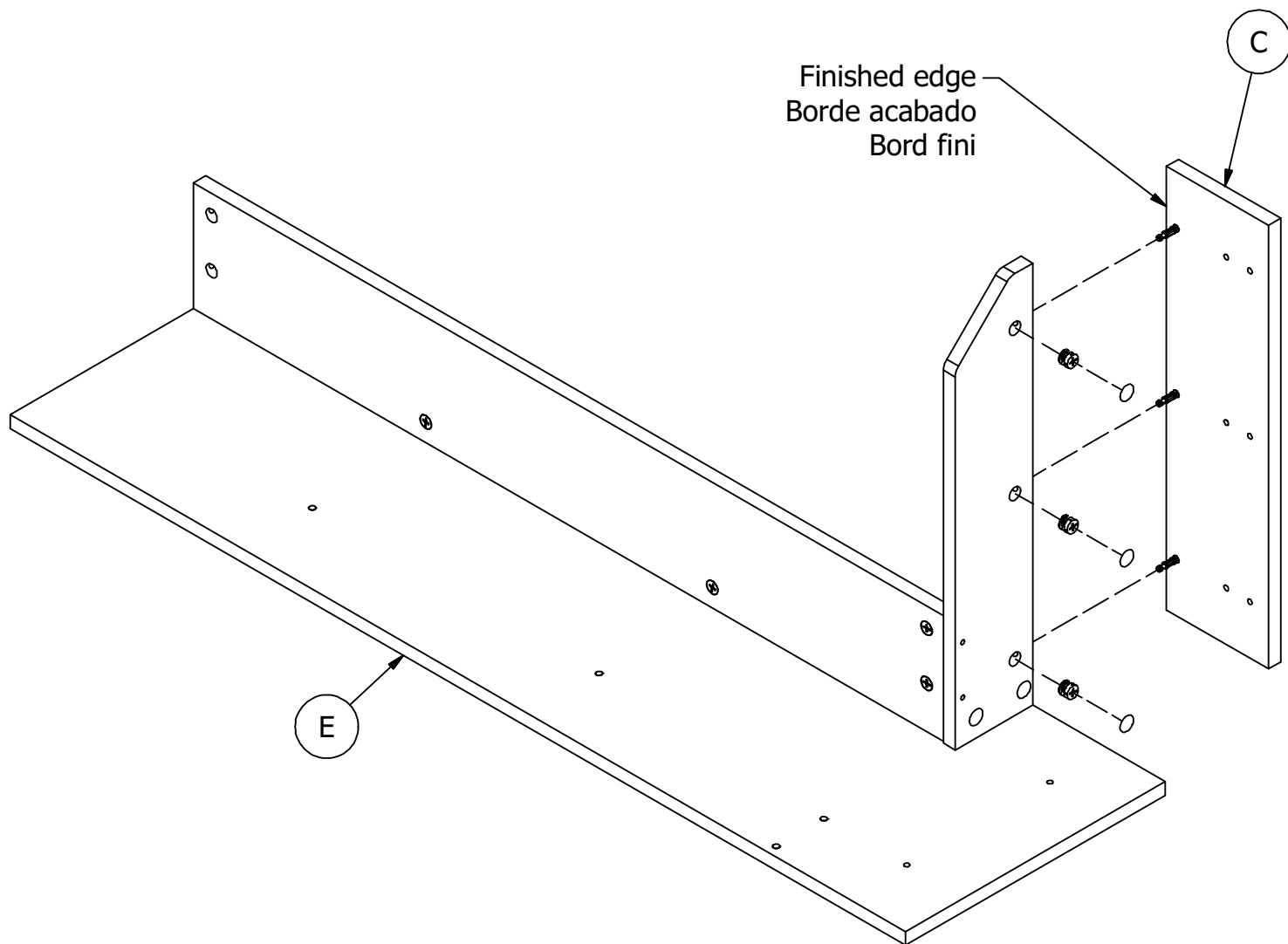
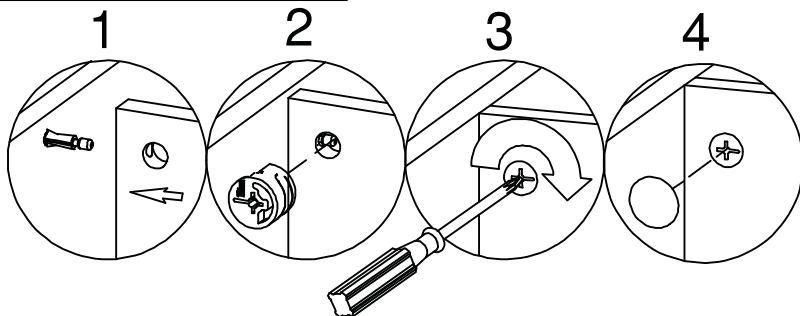
[3]

KD Cam



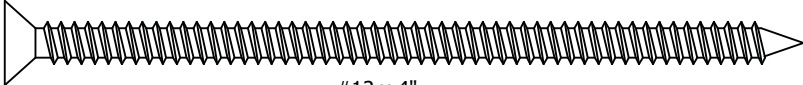
[3]

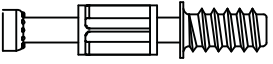
Cover Cap

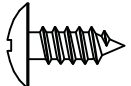


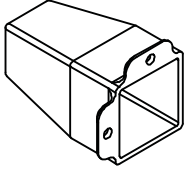
STEP 23

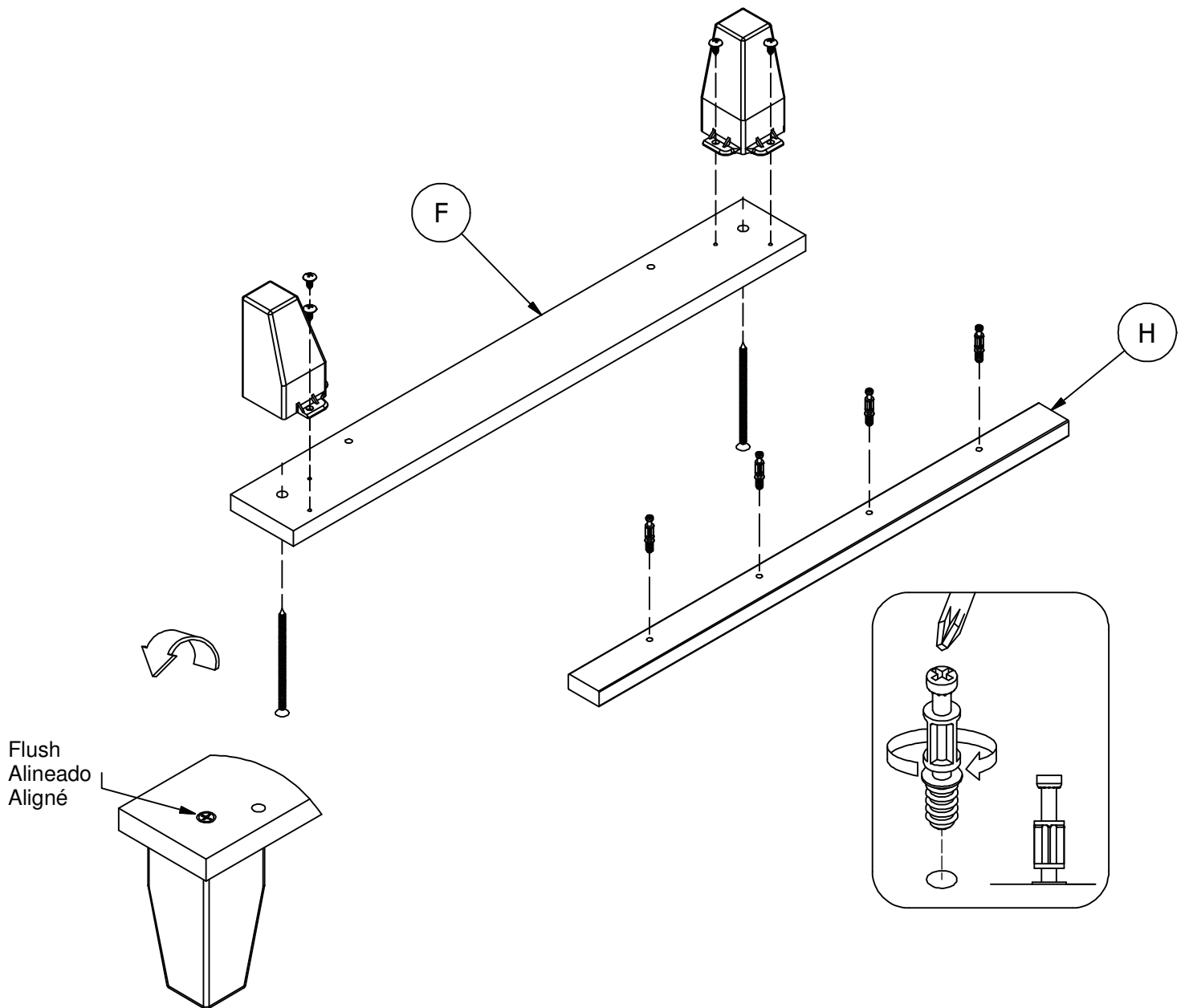
Assemble Base

H143460  [2]
#12 x 4"

H72988  [4]
KD Bolt

H35251  [4]
#10 x 1/2"

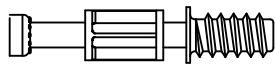
 [2]
Foot



STEP 24

Prepare Panel

H72988



[6]

KD Bolt

H38169



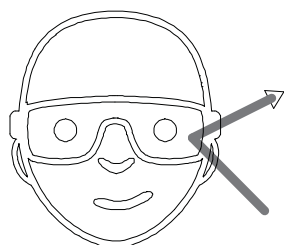
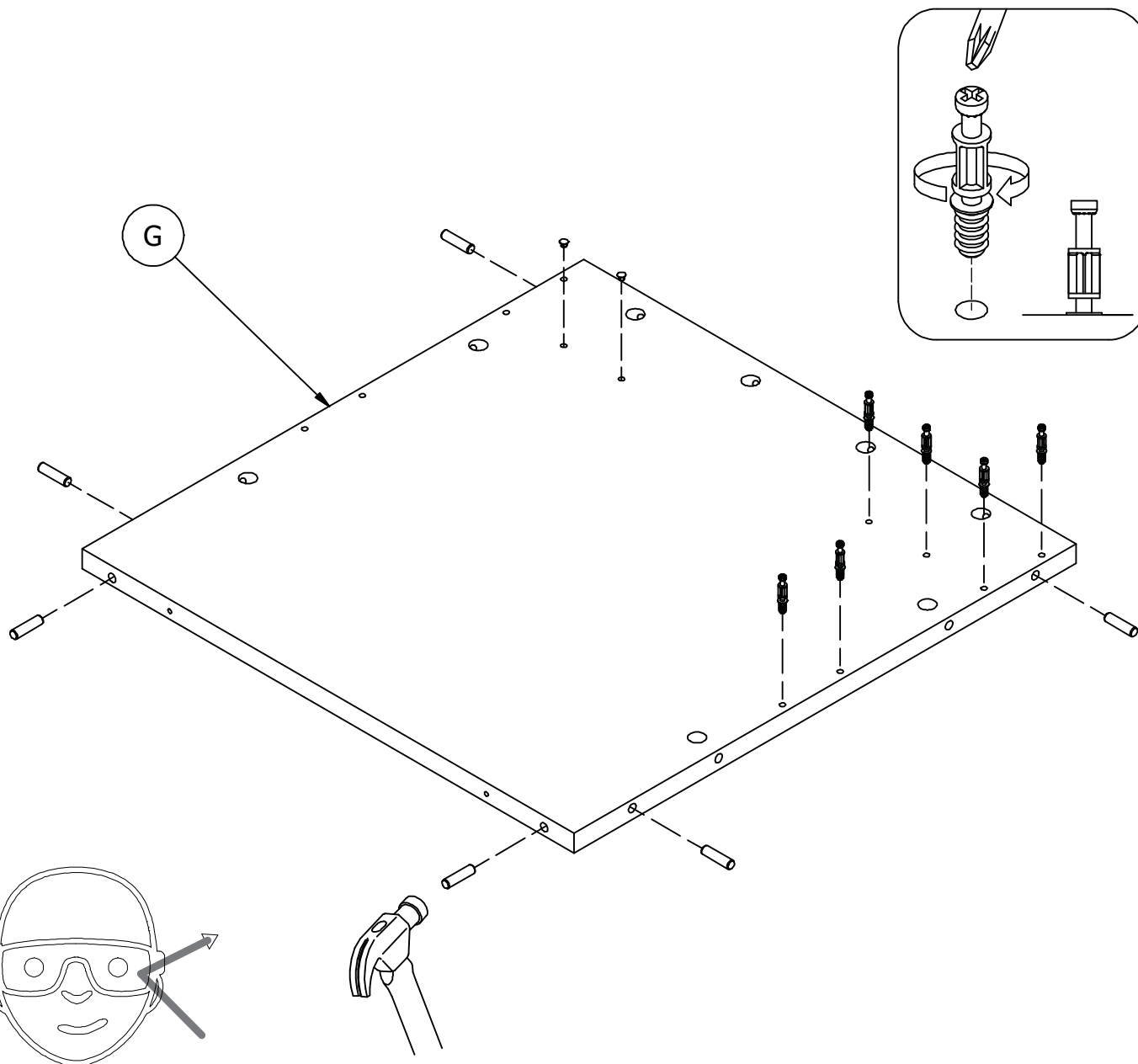
[6]

Wood Dowel 8 x 30



[2]

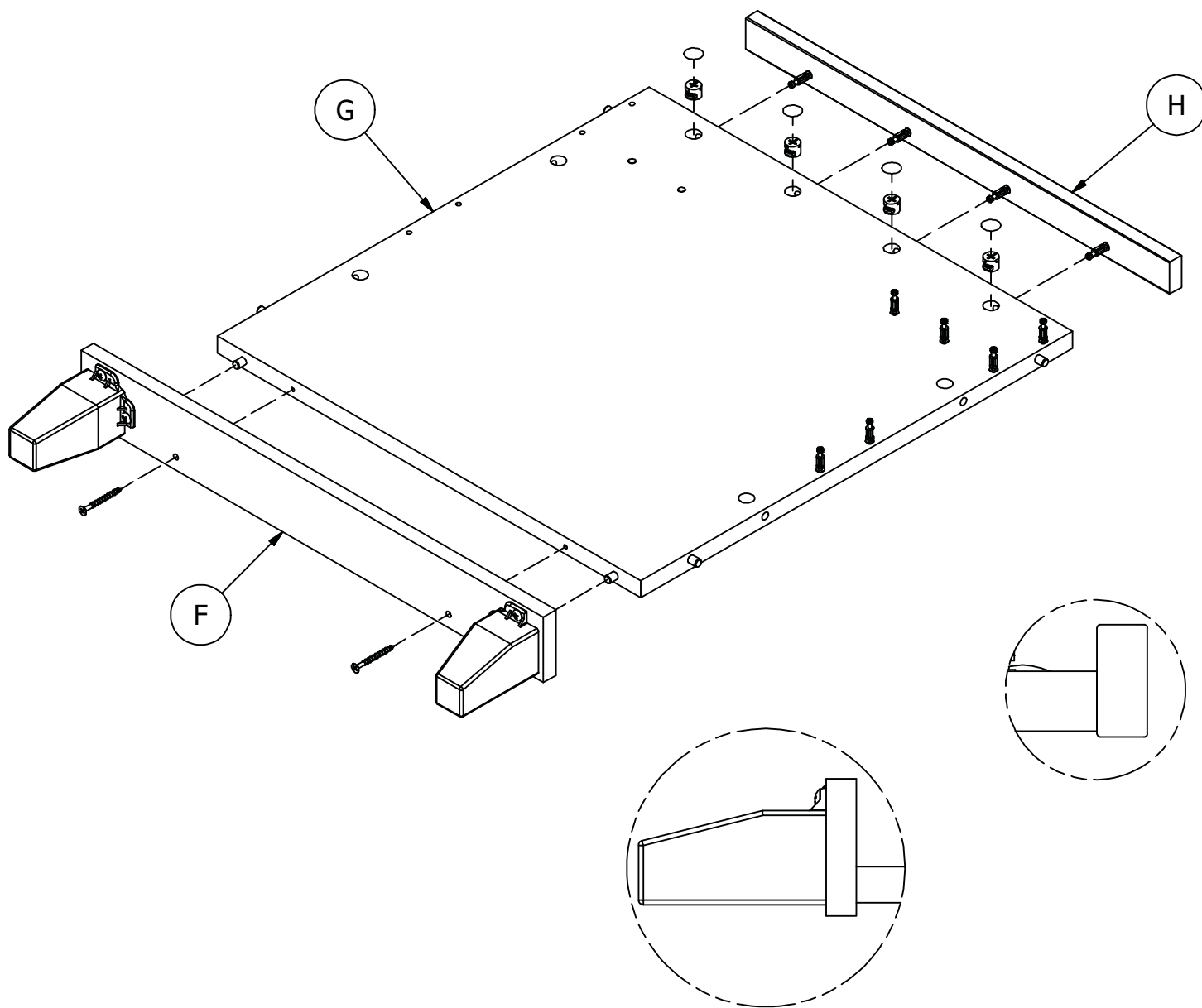
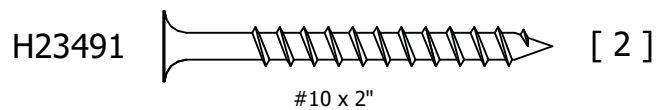
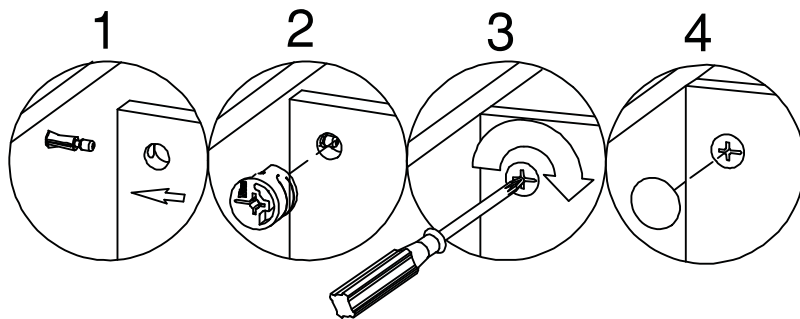
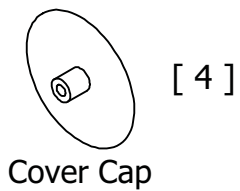
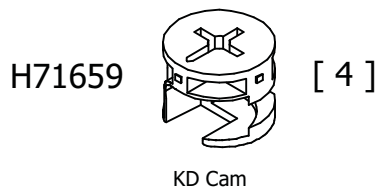
5mm



Safety glasses
Gafas de seguridad
Lunettes de protection

STEP 25

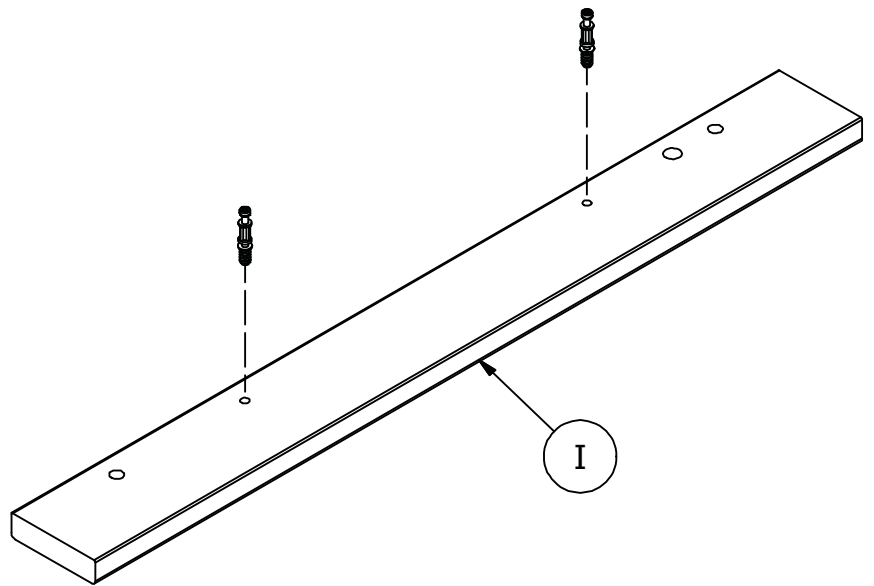
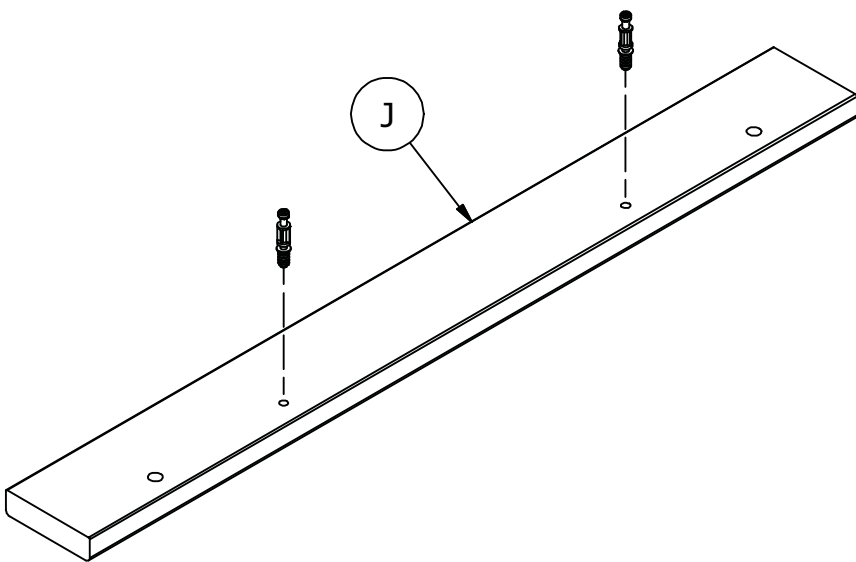
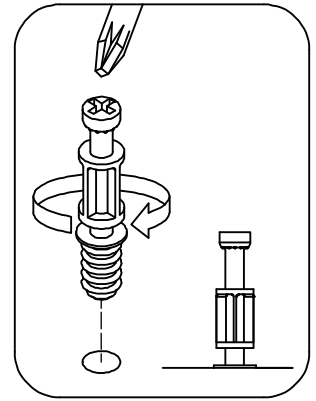
Assemble Panel



STEP 26

Prepare Rails

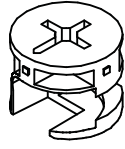
H72988 [4]
KD Bolt



STEP 27

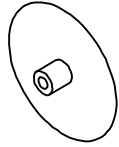
Assemble Modesty Panel

H71659



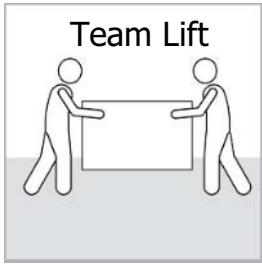
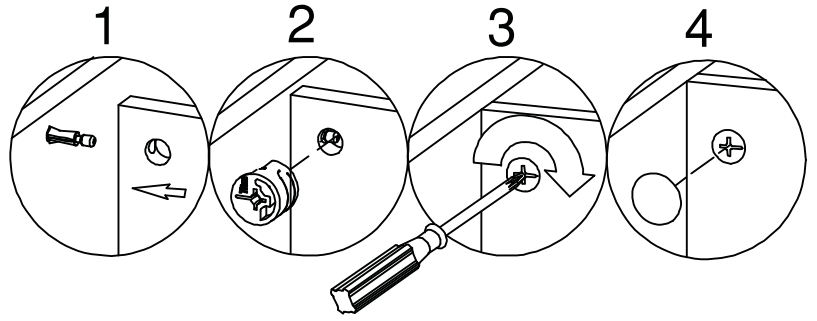
KD Cam

[6]

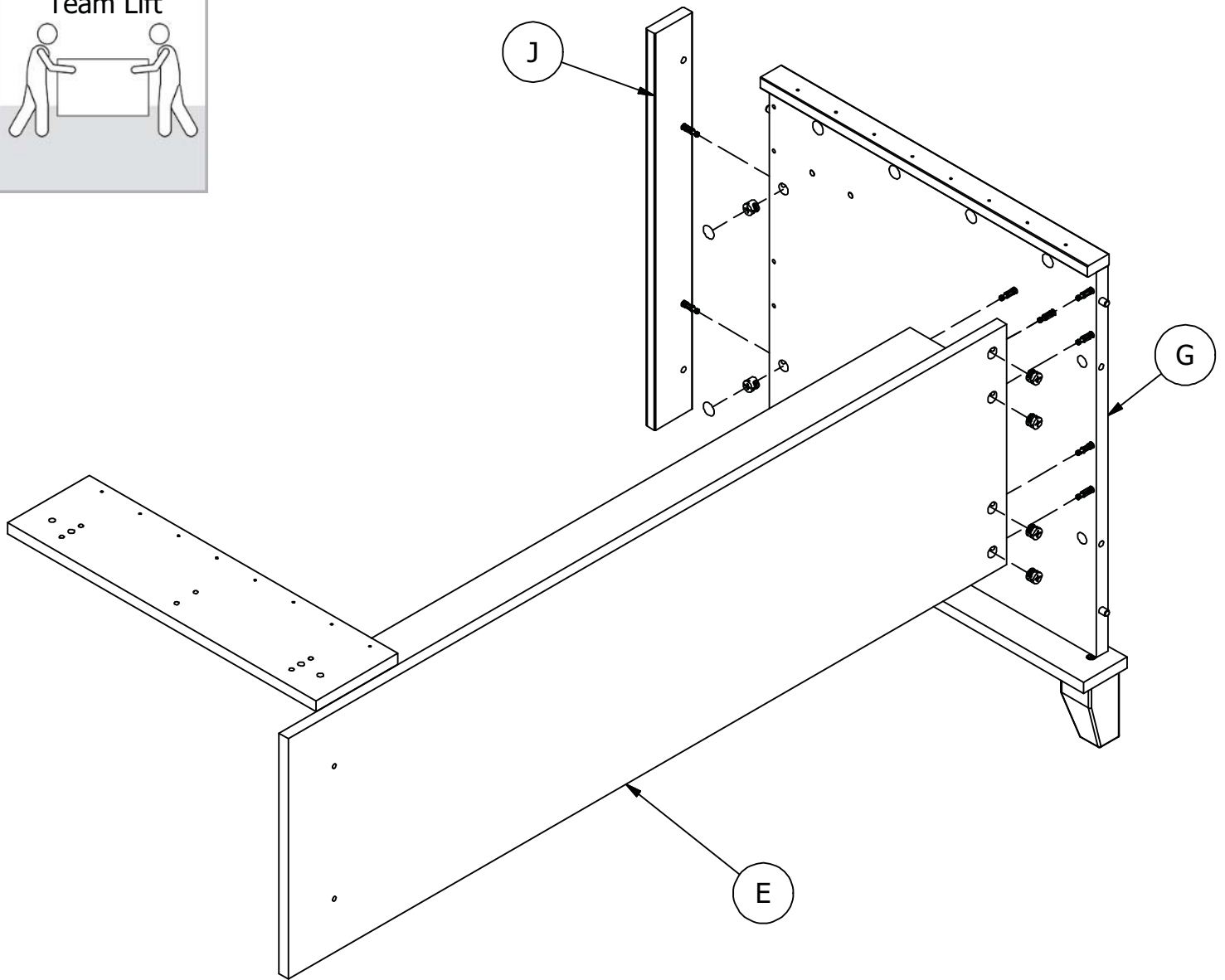


[2]

Cover Cap



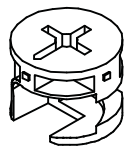
Team Lift



STEP 28

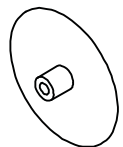
Assemble Panel

H71659



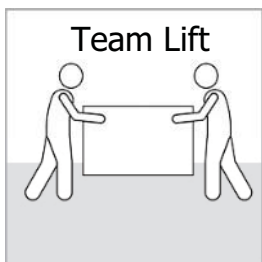
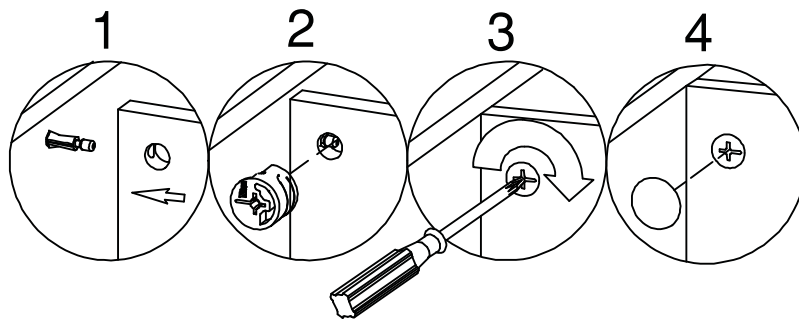
KD Cam

[4]

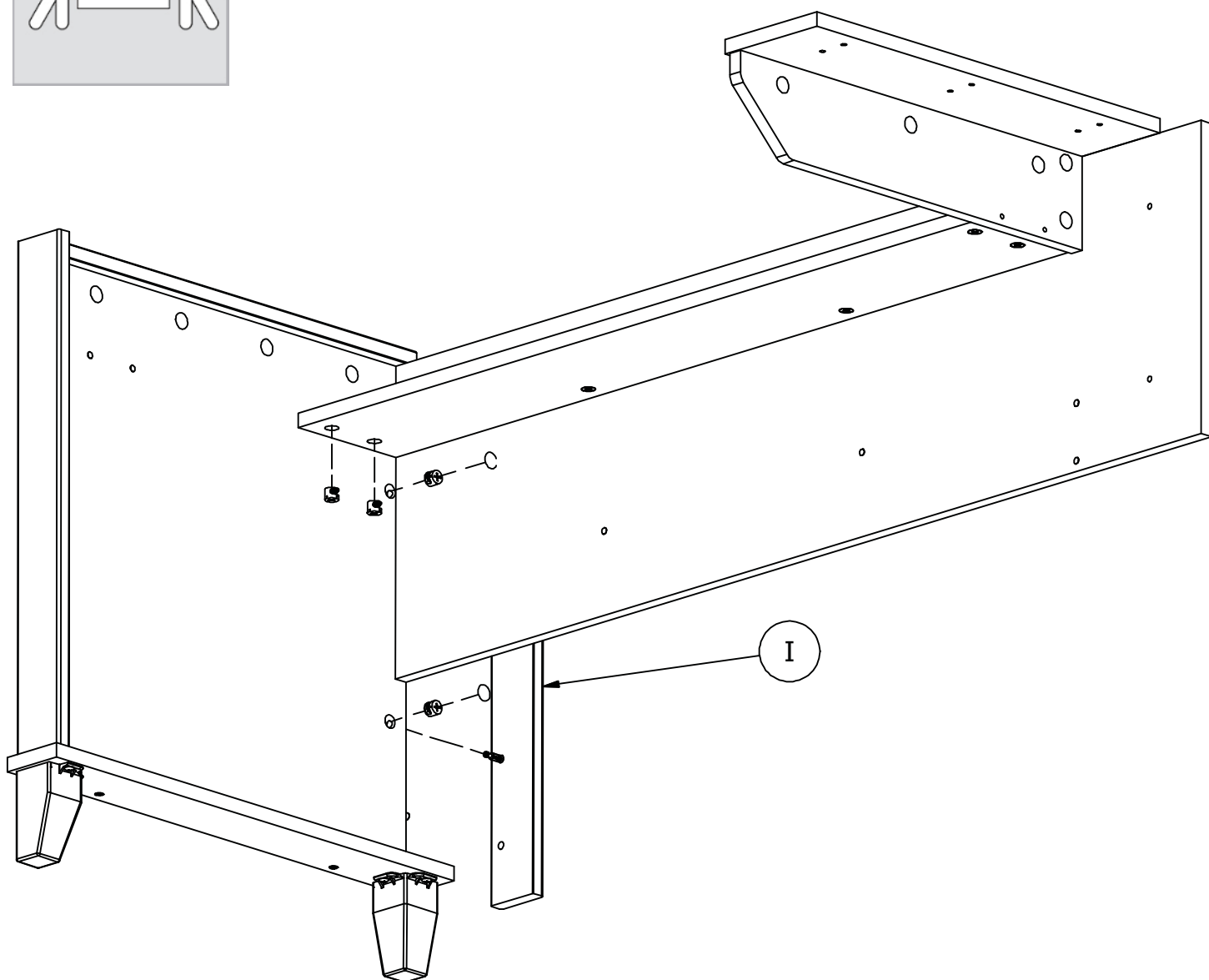


Cover Cap

[2]



Team Lift

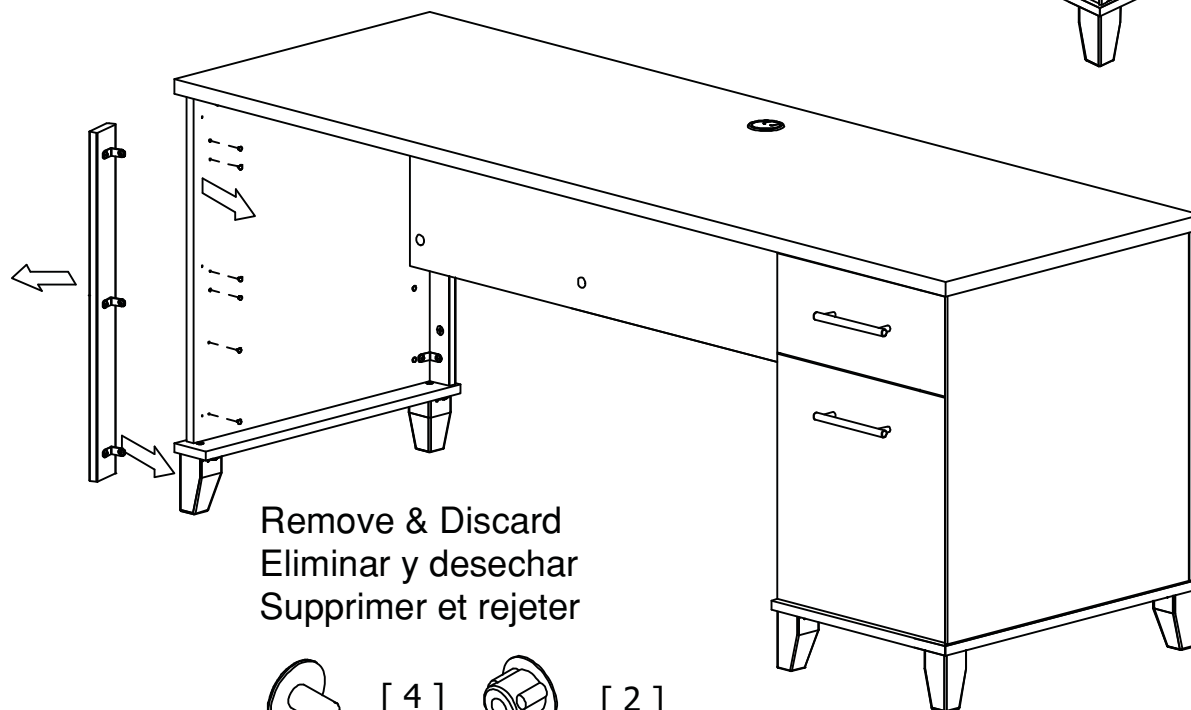
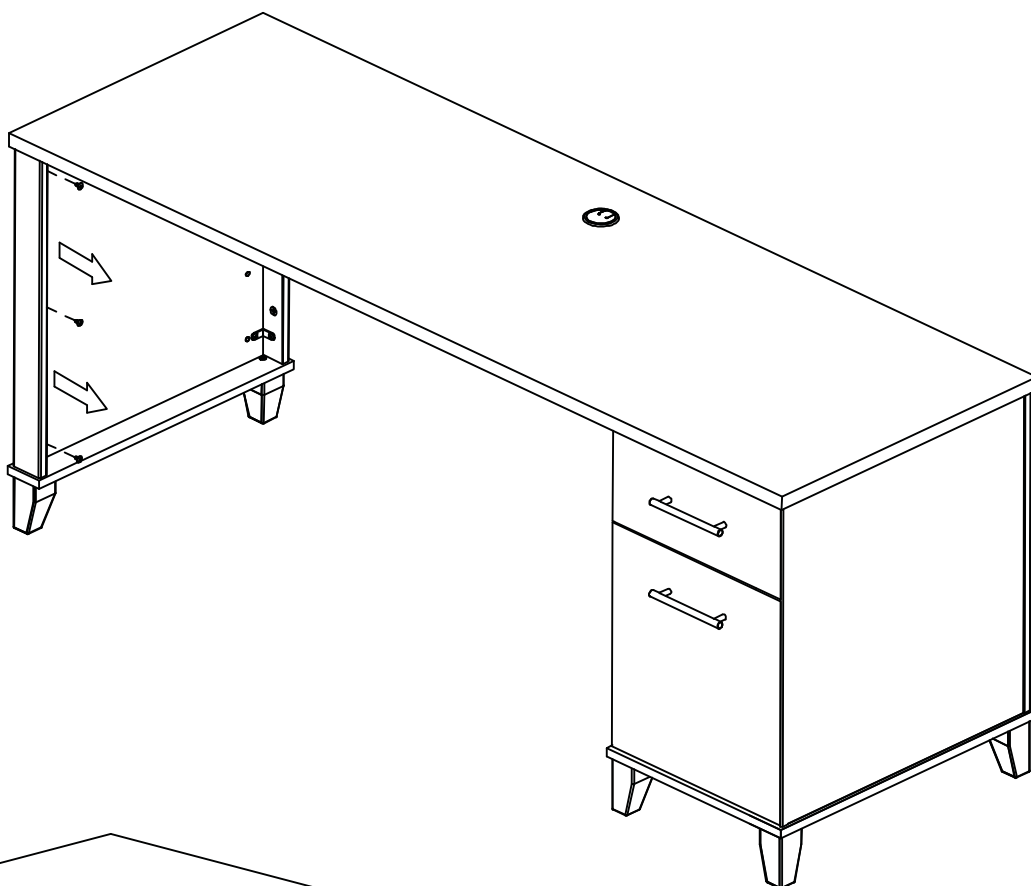


STEP 29

Remove Rail

Remove & Discard
Eliminar y desechar
Supprimer et rejeter

H35251 [3]
#10 x 1/2"



Remove & Discard
Eliminar y desechar
Supprimer et rejeter



3mm

[4]



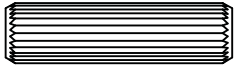
5mm

[2]

STEP 30

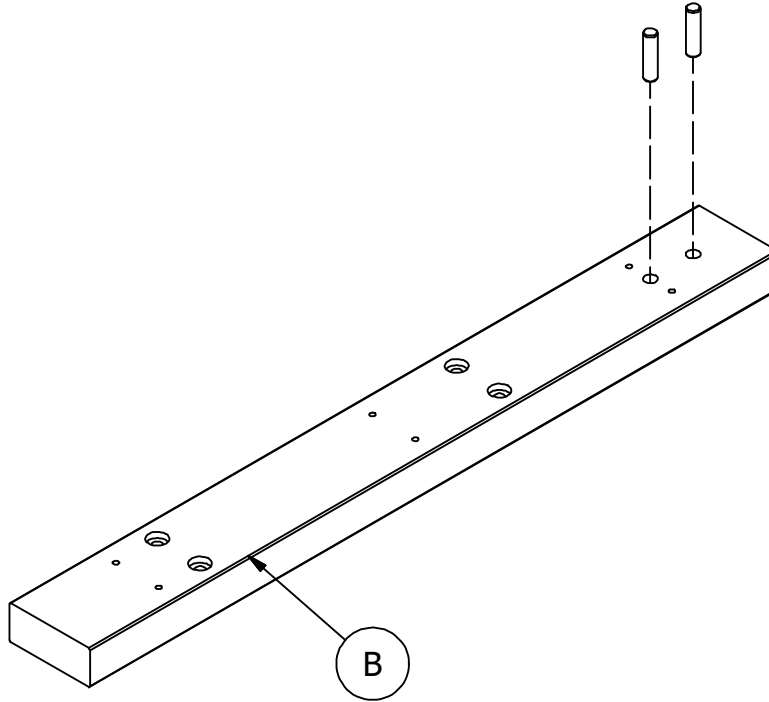
Prepare Rail

H38169



[2]

Wood Dowel 8 x 30



STEP 31

Assemble Rail

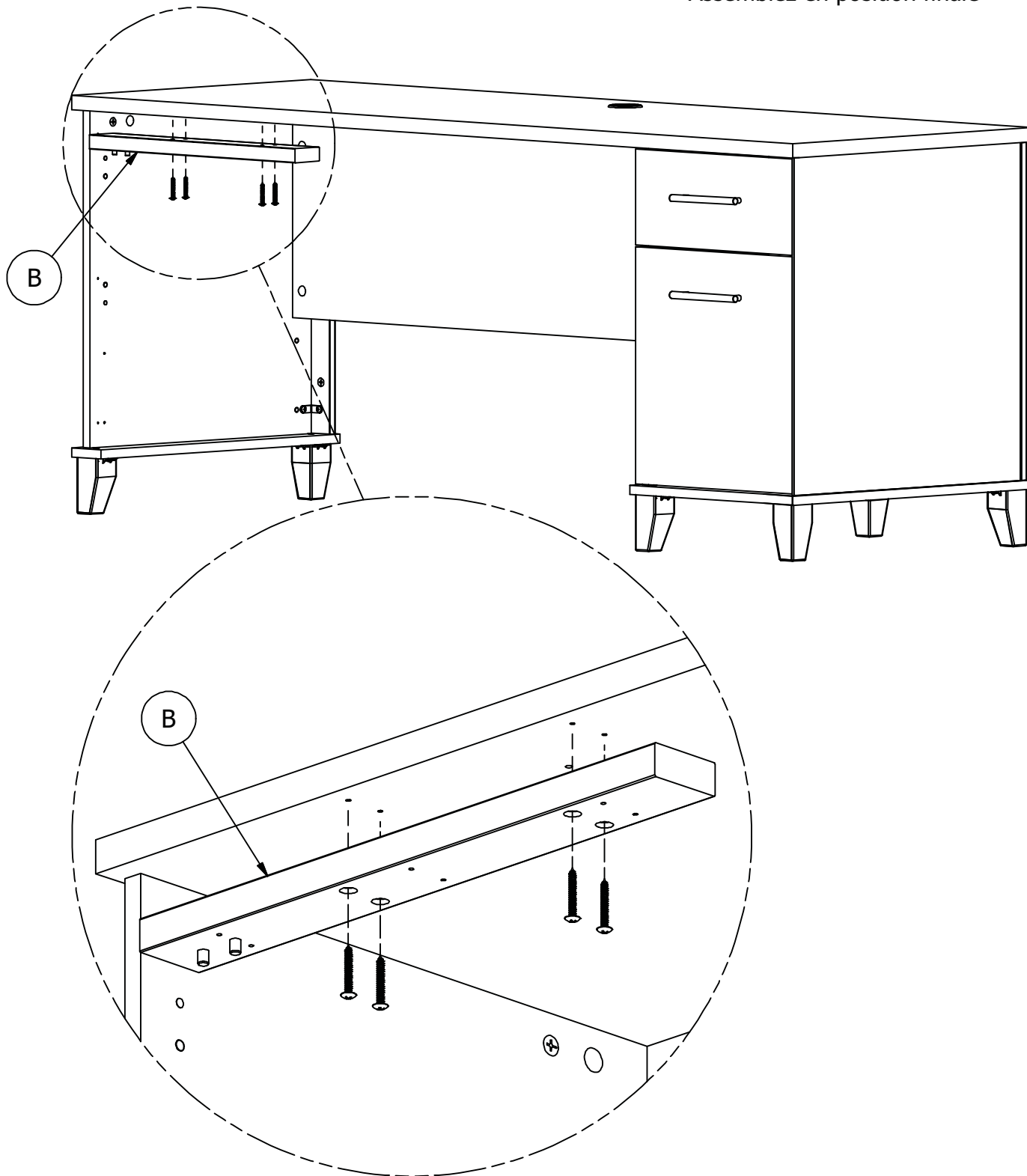
H23468



#10 x 1-1/2"

[4]

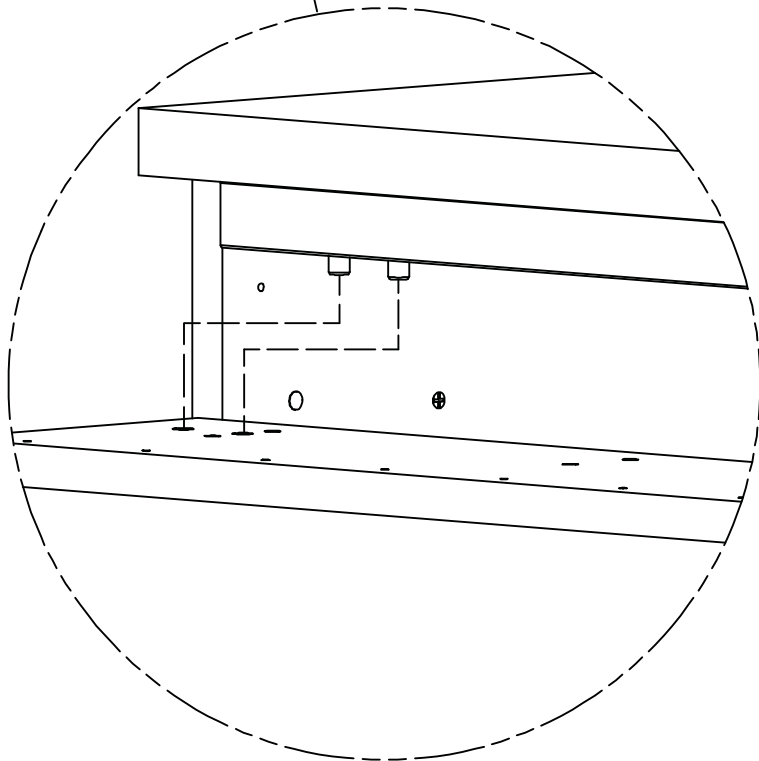
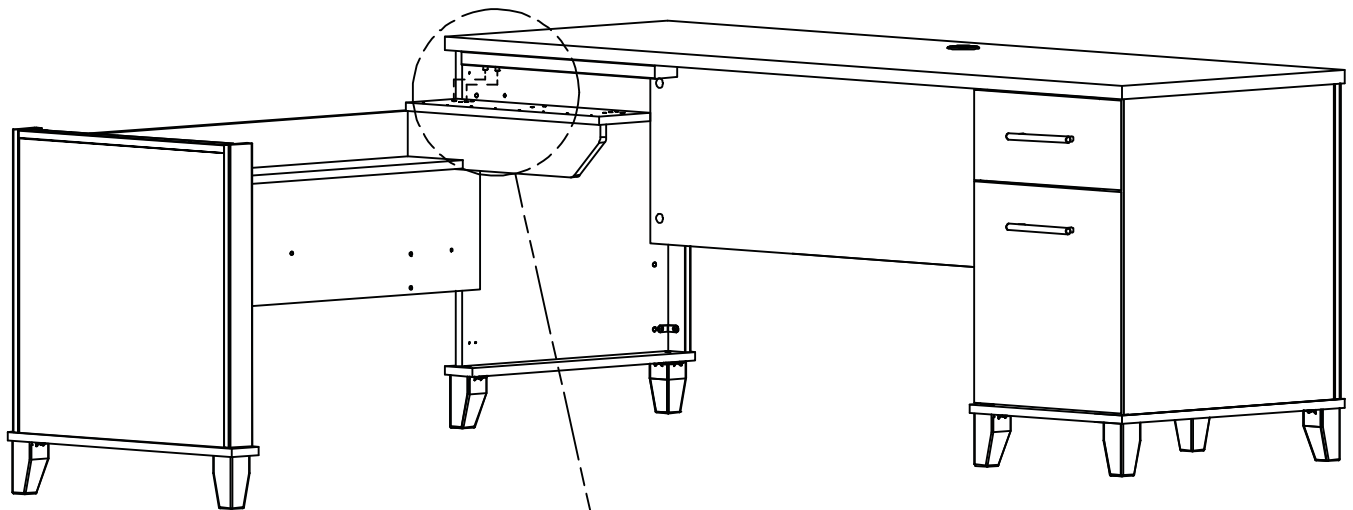
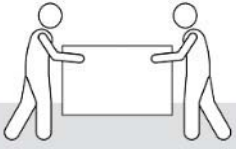
Assemble in final location.
Arme la unidad en el lugar destinado.
Assemblez en position finale



STEP 32

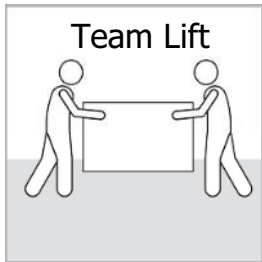
Attach Modesty Panel

Team Lift

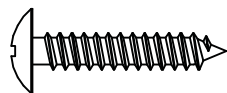


STEP 33

Attach Modesty Panel

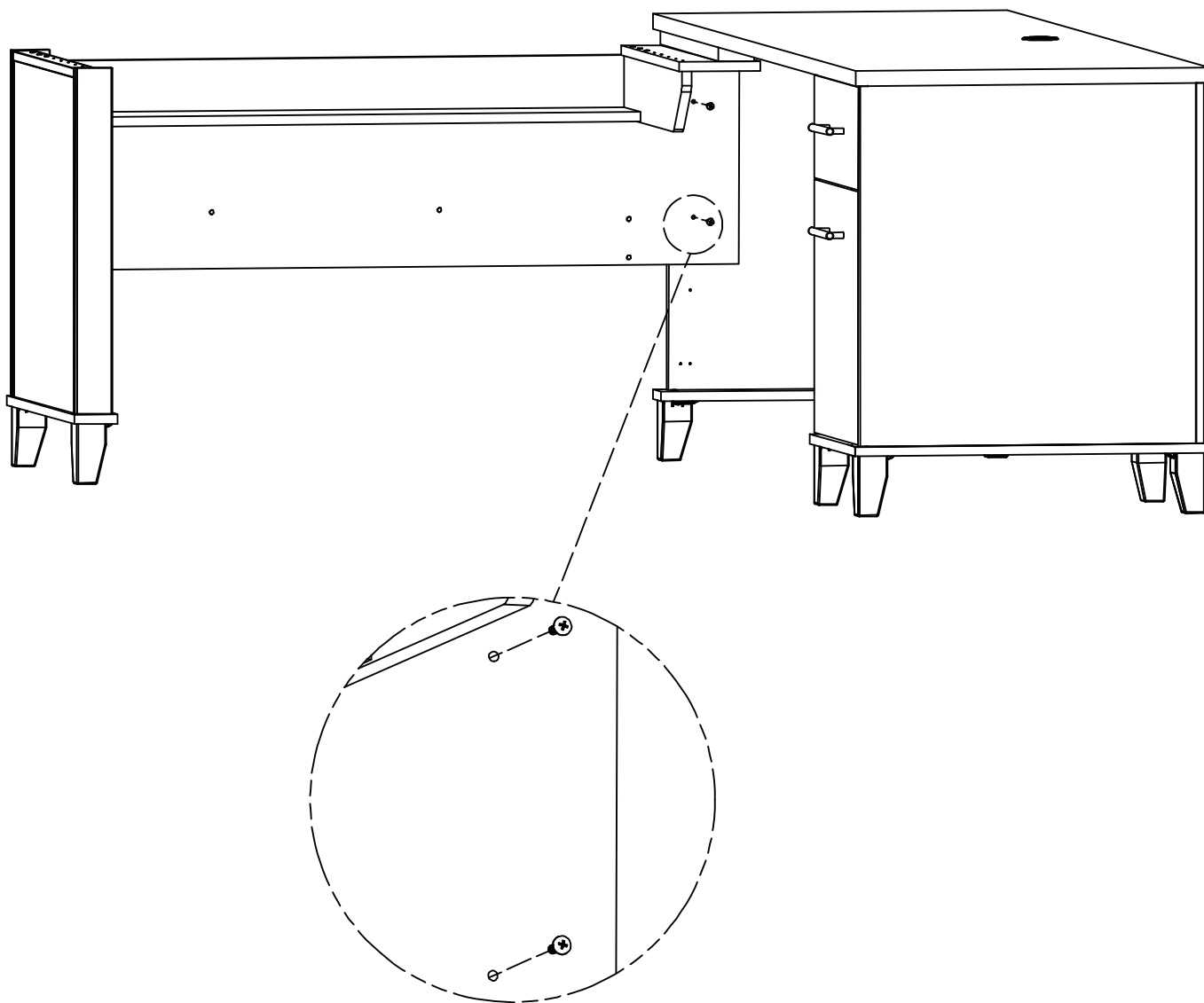


H23682



[2]

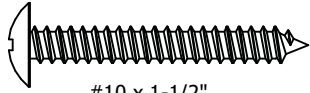
#10 x 1"



STEP 34

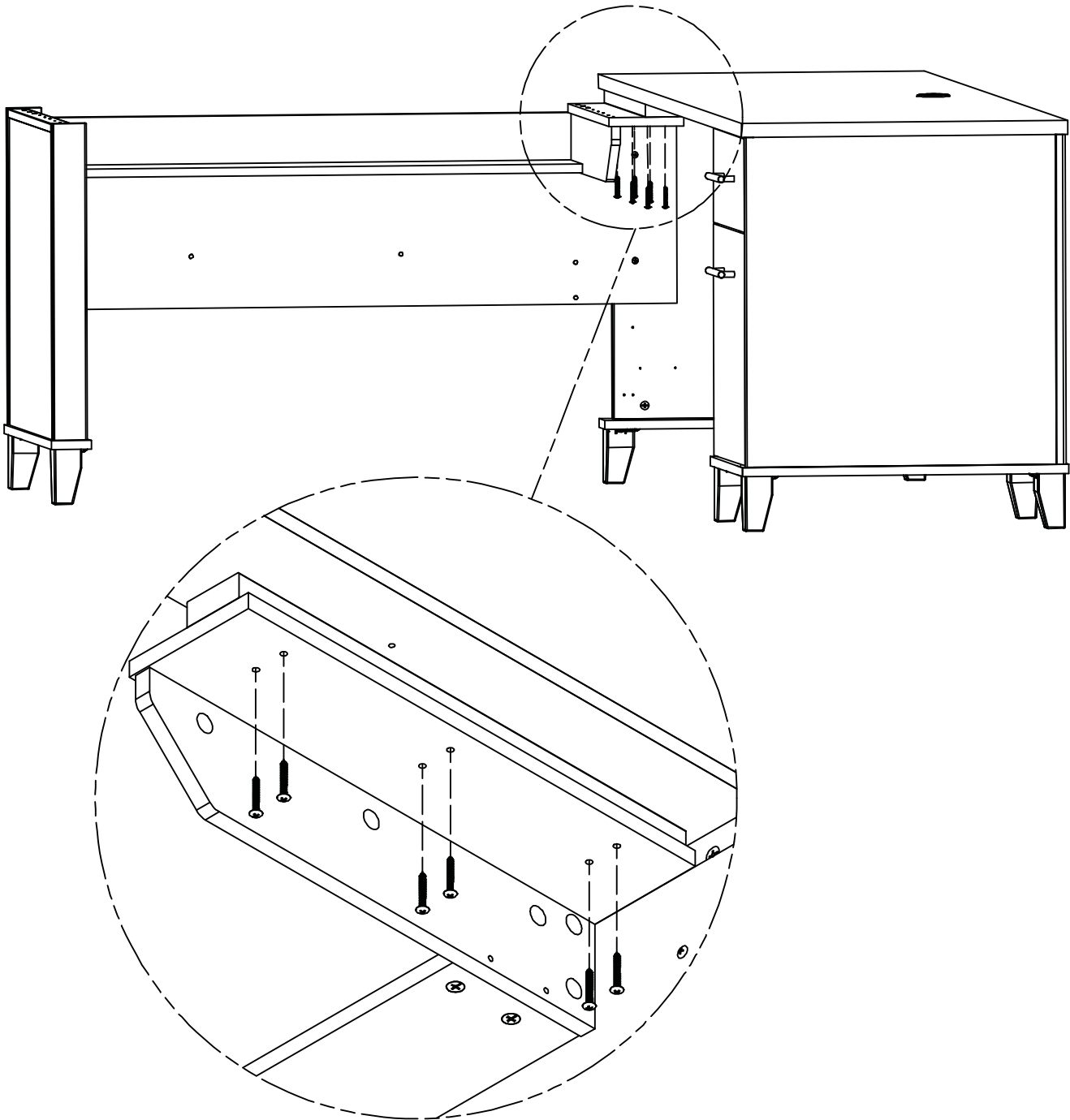
Attach Modesty Panel

H23468



[6]

#10 x 1-1/2"

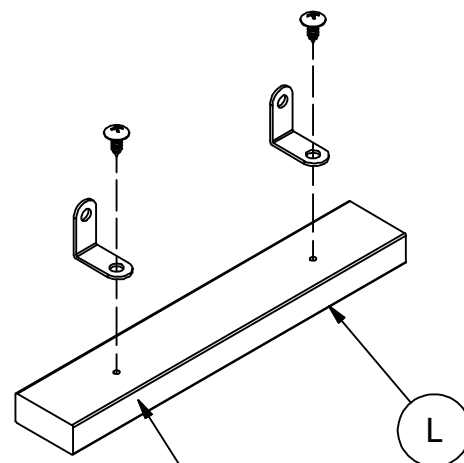


STEP 35

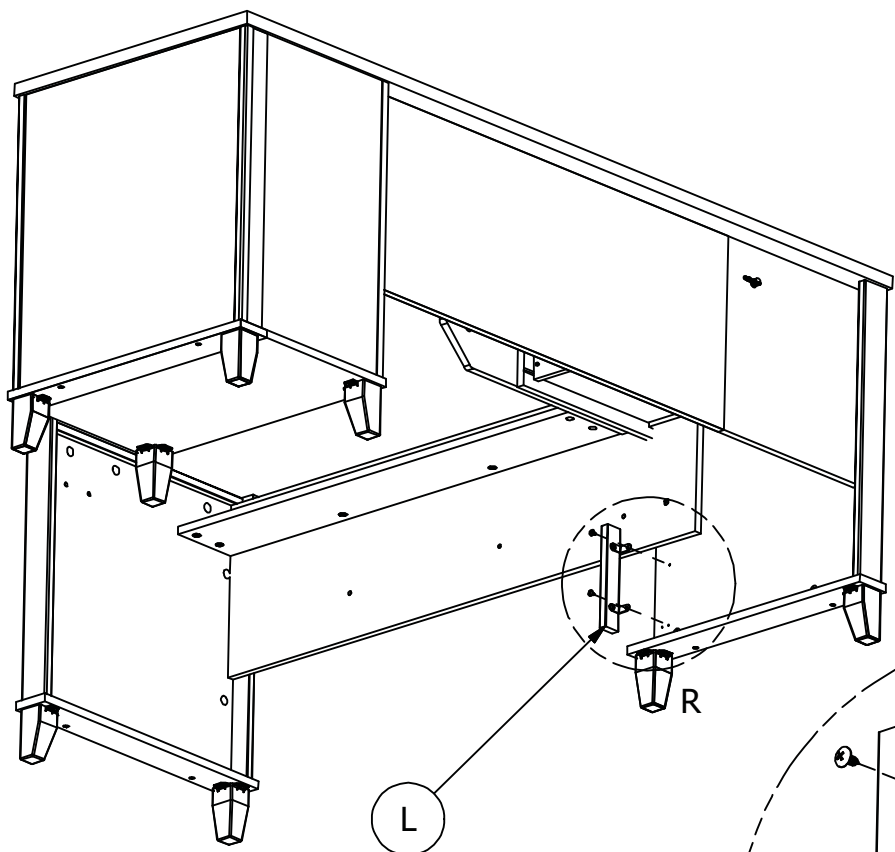
Attach Rail

H35251 [4]
#10 x 1/2"

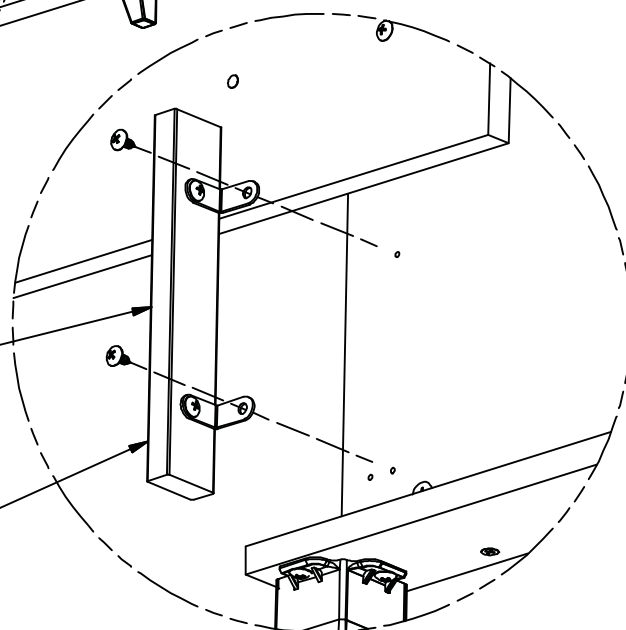
H67187 [2]
Angle Bracket



Finished edge
Borde acabado
Bord fini

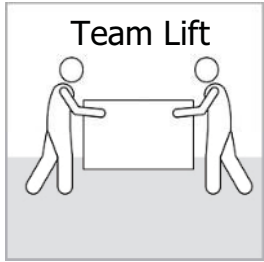


Finished edge
Borde acabado
Bord fini

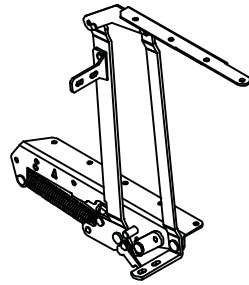


STEP 36

Attach Stand

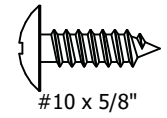


Z184666



[1]

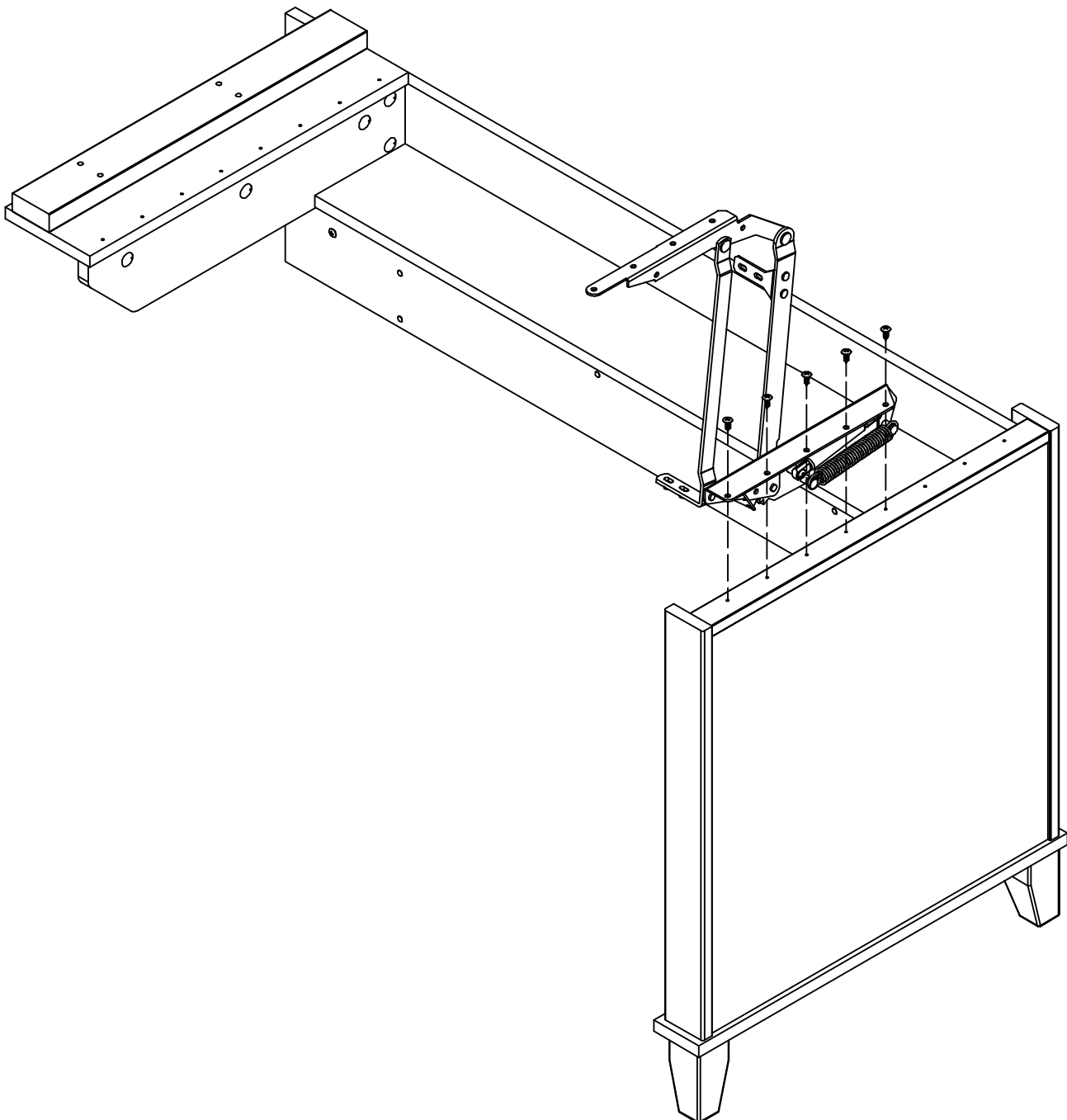
H23119



[5]

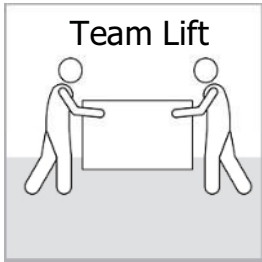
#10 x 5/8"

Right Side Mechanism

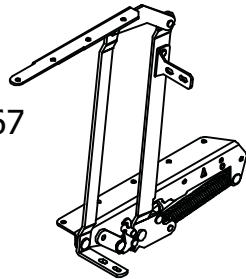


STEP 37

Attach Stand



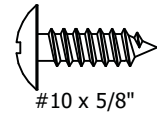
Z184667



[1]

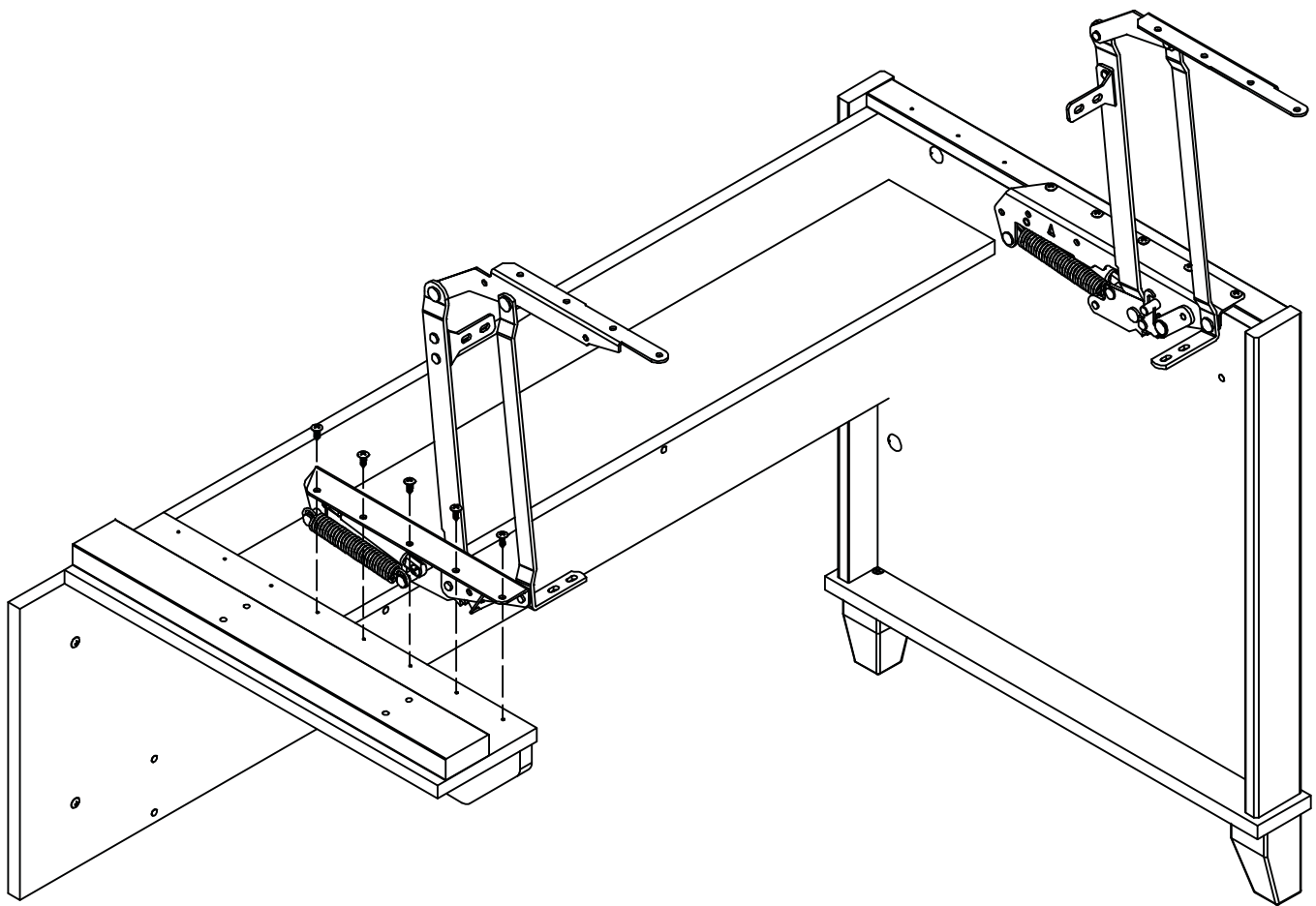
Left Side Mechanism

H23119



[5]

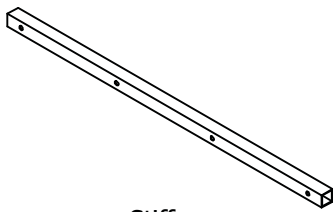
#10 x 5/8"



STEP 38

Prepare Top

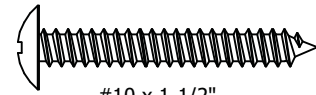
H181315



[1]

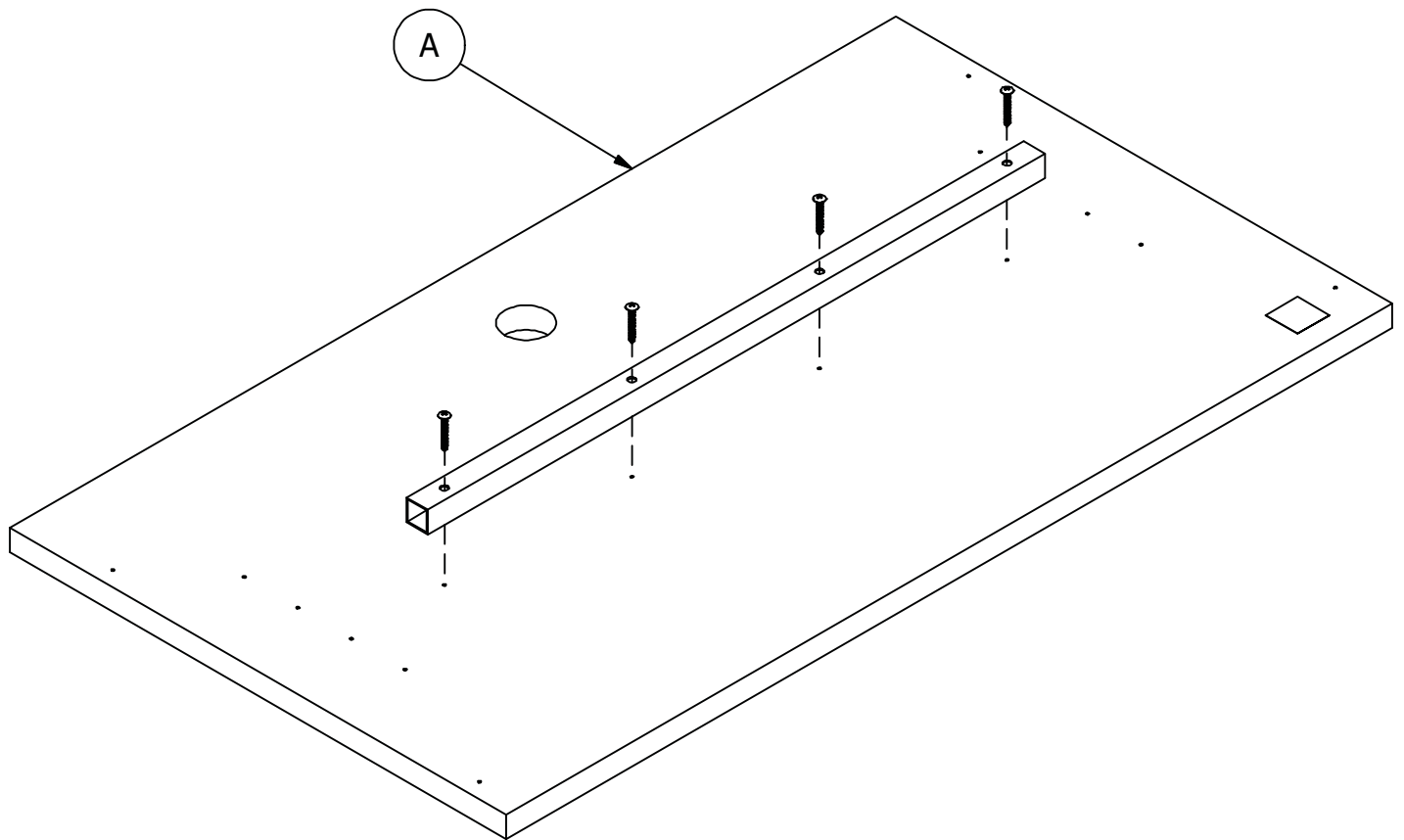
Stiffener

H23468



[4]

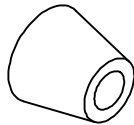
#10 x 1-1/2"



STEP 39

Attached Bumpers

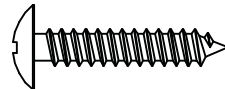
H184655



[4]

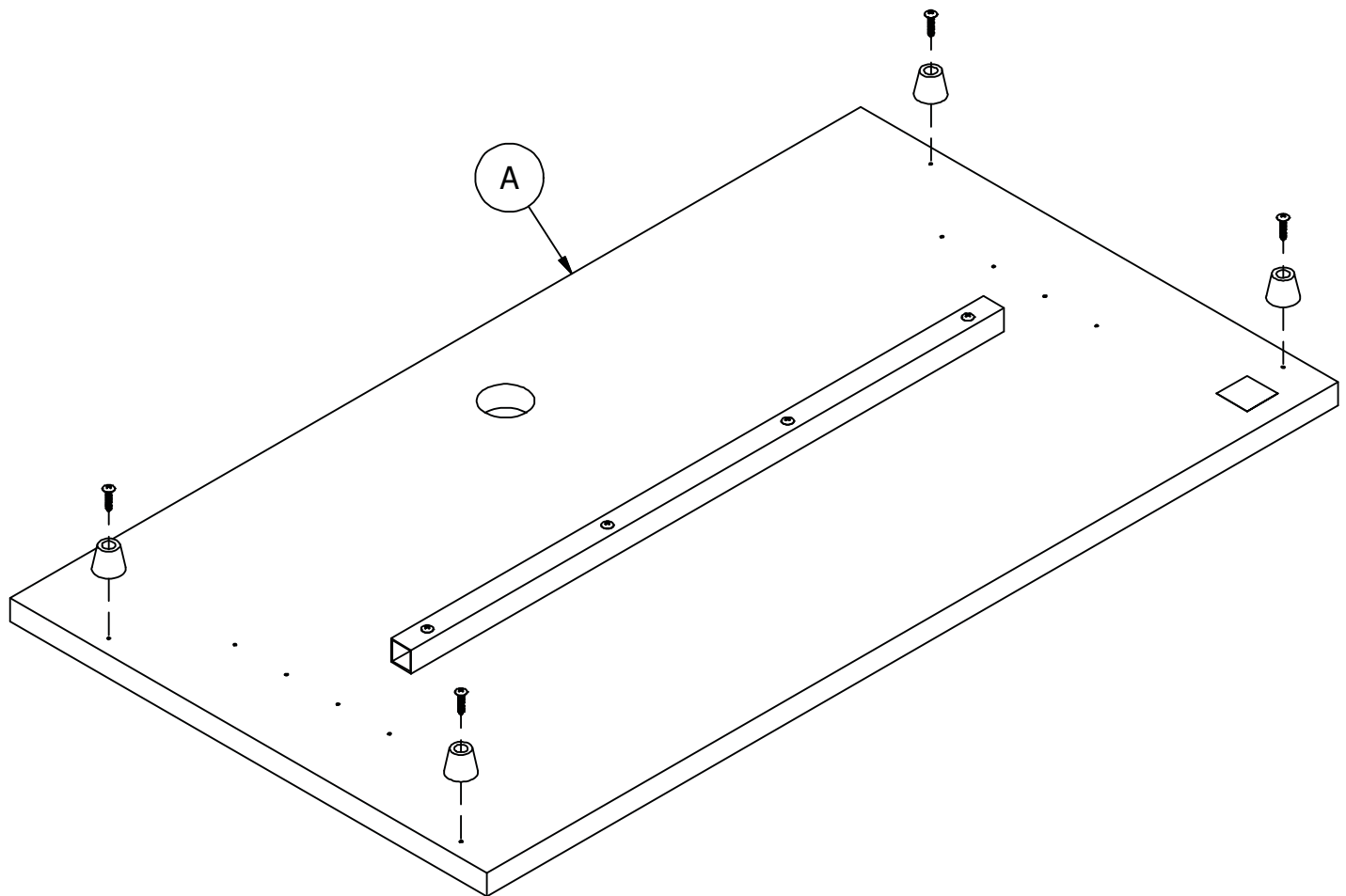
Bumper

H23682



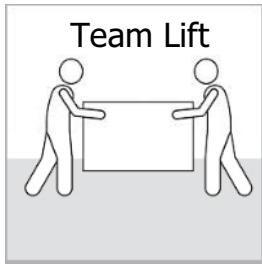
[4]

#10 x 1"

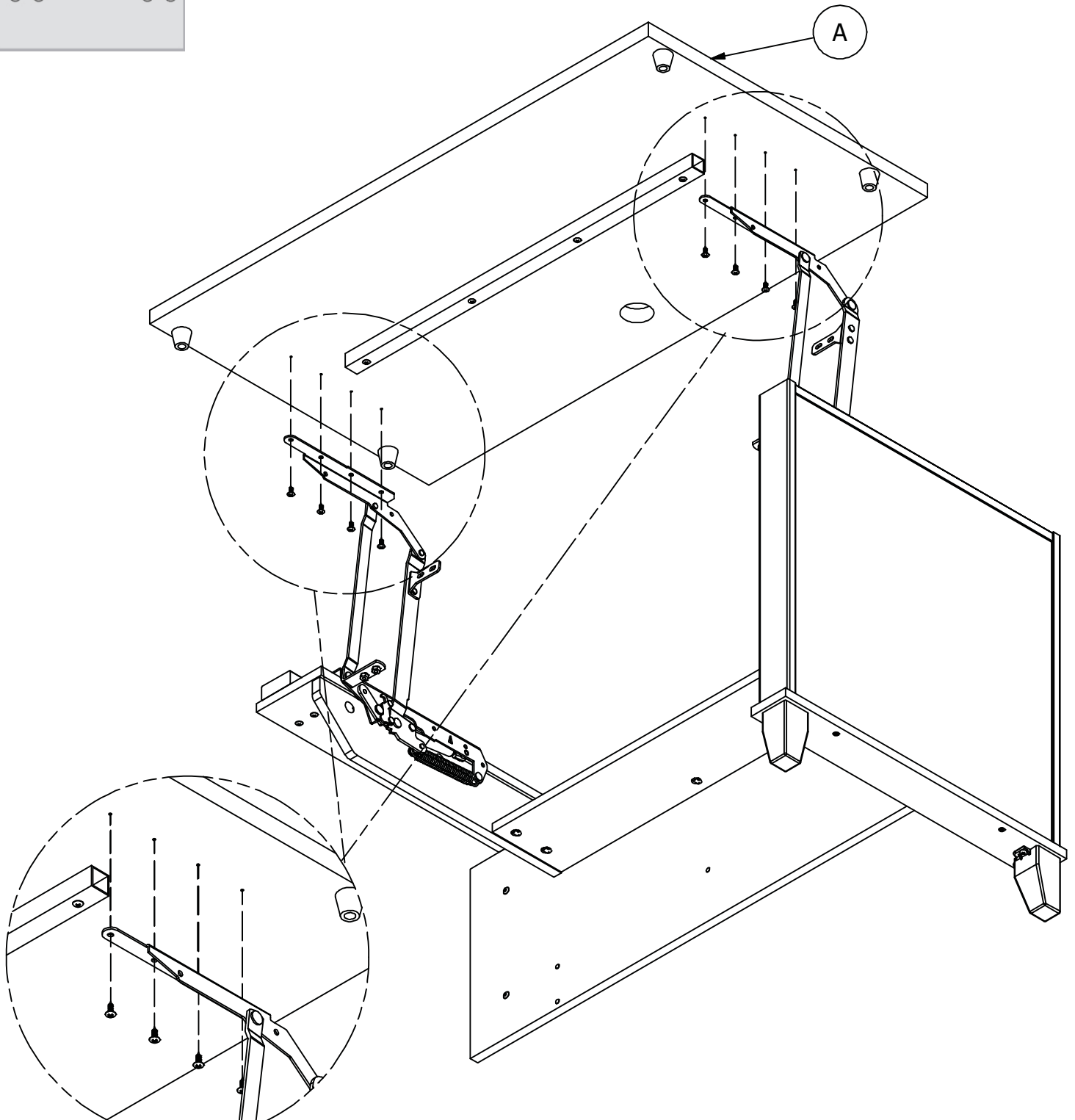
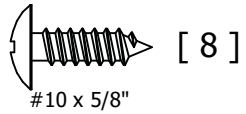


STEP 40

Assemble Work Surface

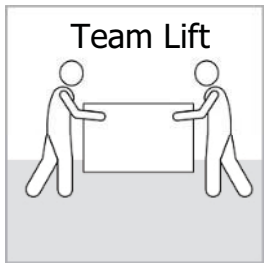


H23119

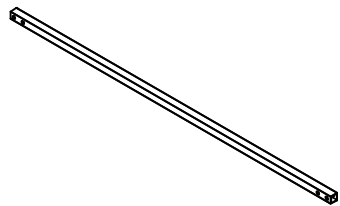


STEP 41

Attach Supports



H189068



[2]

Connecting Bar

Z184671



[8]

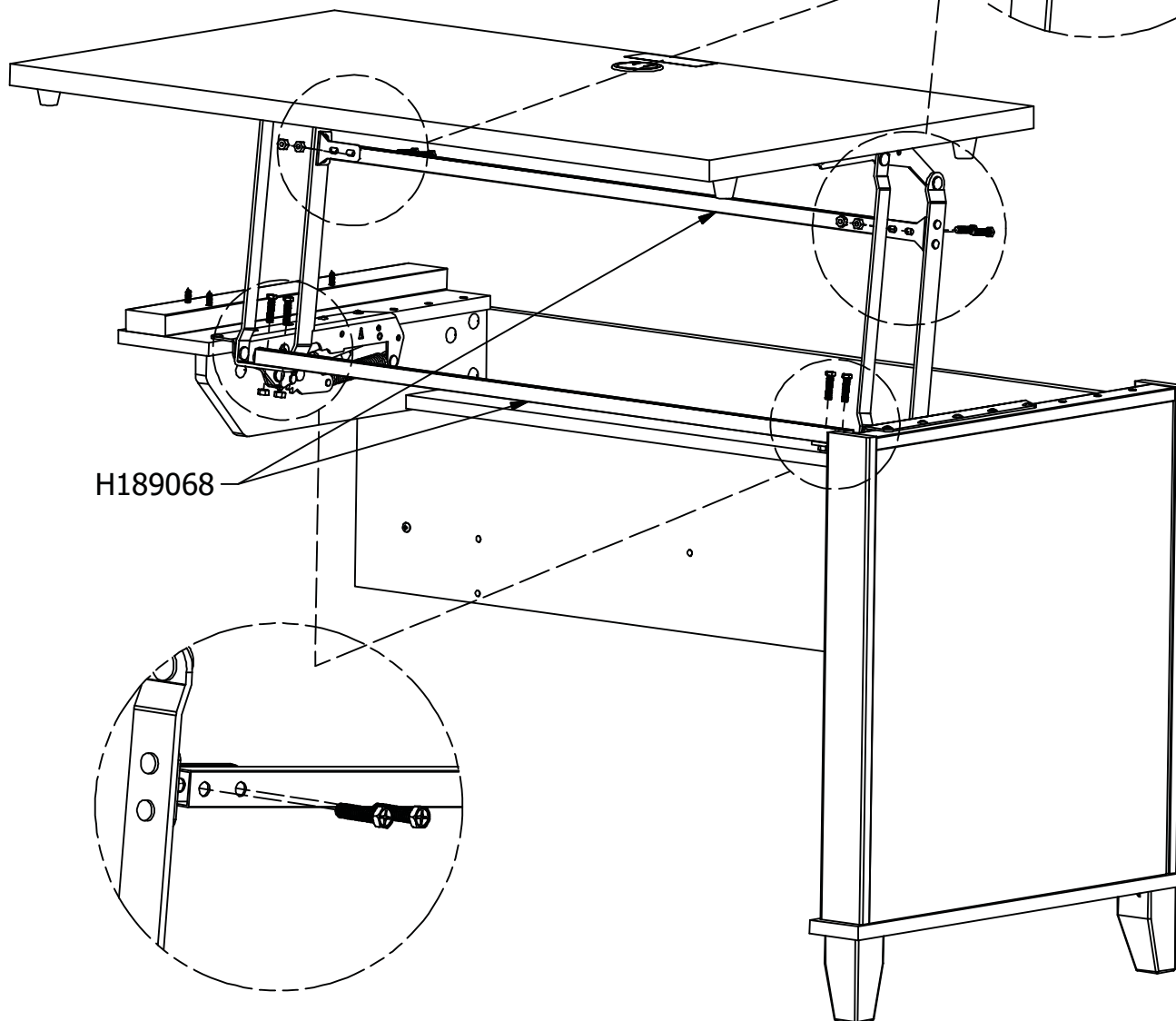
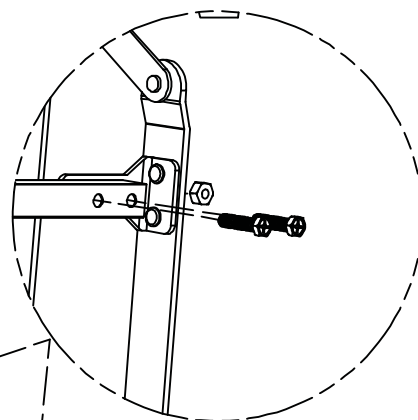
Nut 1/4-20

Z184669



[8]

1/4-20 x 28mm



H189068

STEP 42

Attach Supports

H157577

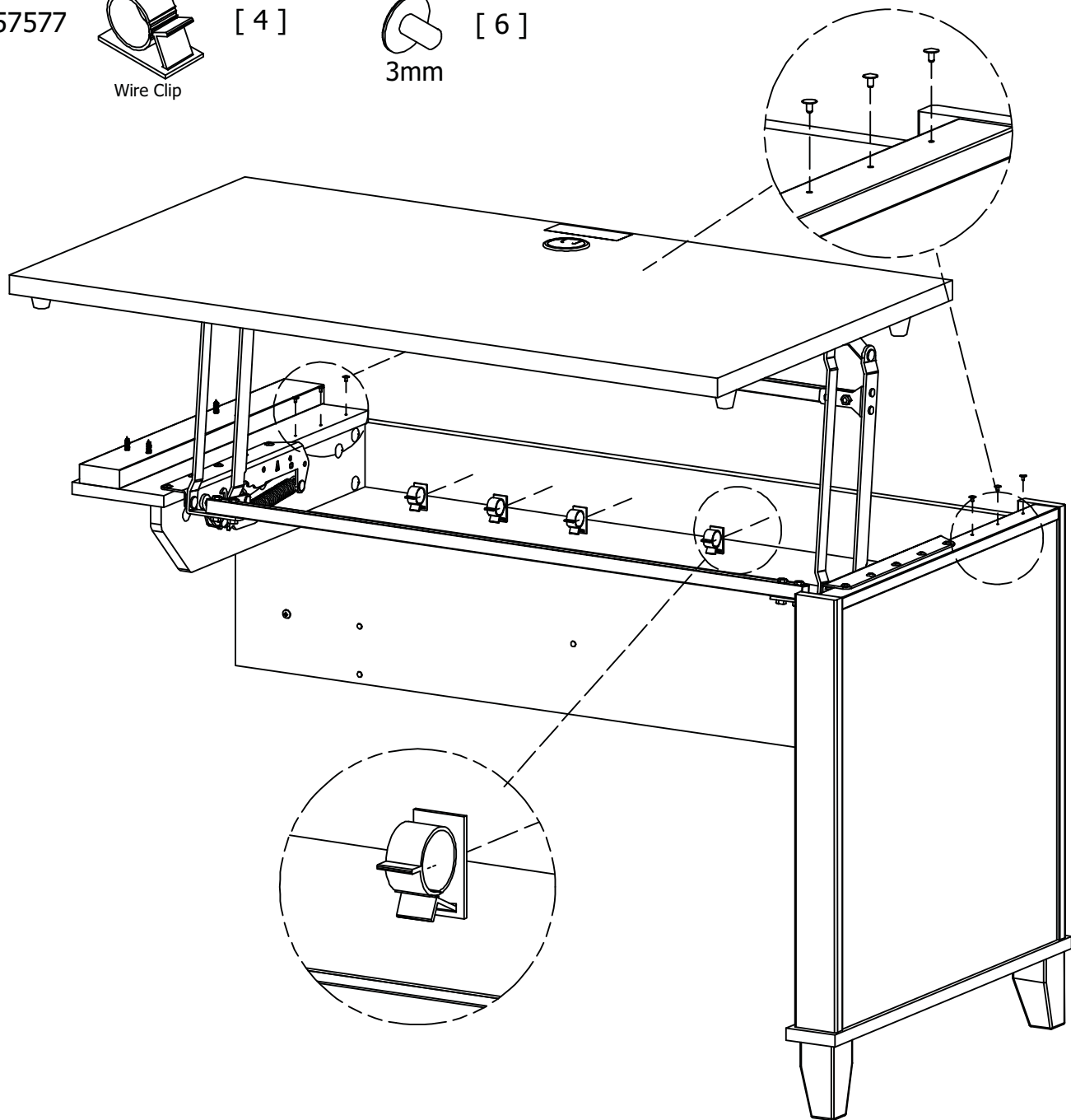


[4]



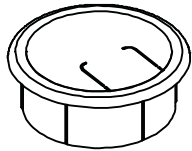
[6]

3mm



STEP 43

Insert Grommet and Loading

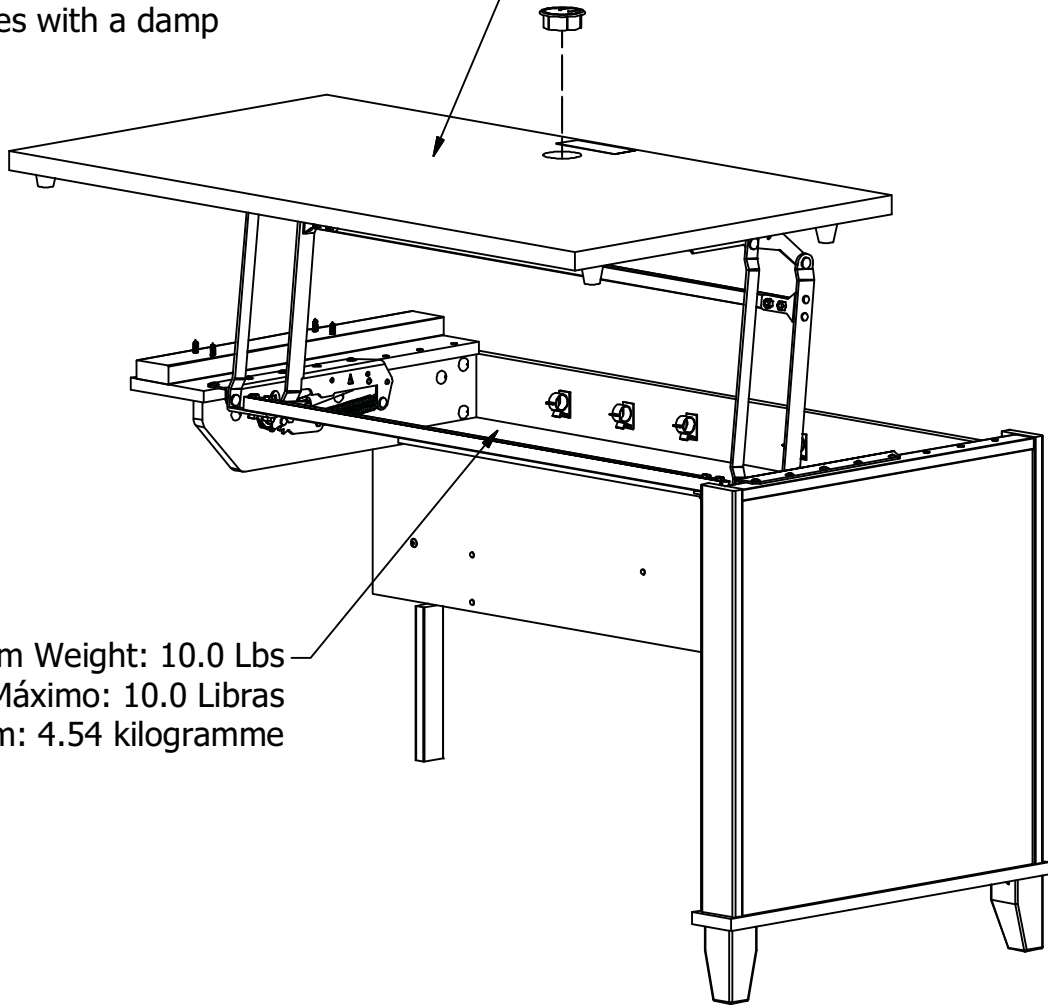


[1]

Grommet

Gently clean surfaces with a damp sponge eraser.

Maximum Weight: 20.0 Lbs
Peso Máximo: 20.0 Libras
Poid Maximum: 9.07 kilogramme



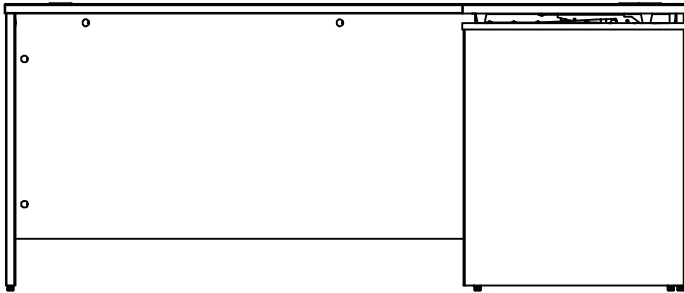
Maximum Weight: 10.0 Lbs
Peso Máximo: 10.0 Libras
Poids Maximum: 4.54 kilogramme

Congratulations! You are all done. If you have any questions or concerns, please call.

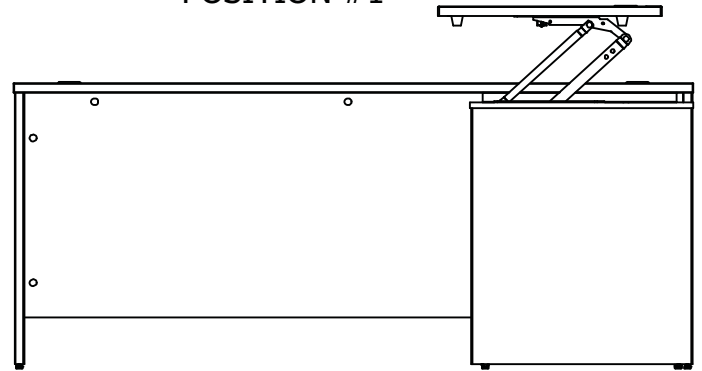
STEP 44

Sit To Stand

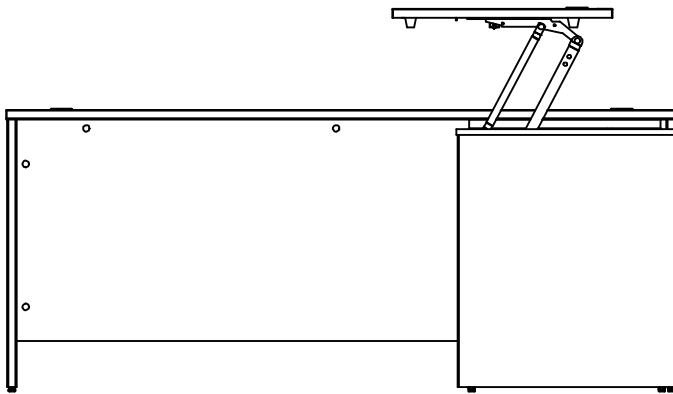
SEATED POSITION



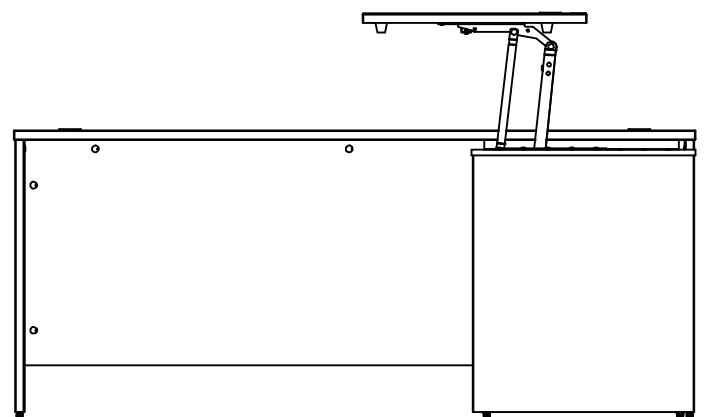
POSITION #1



POSITION #2

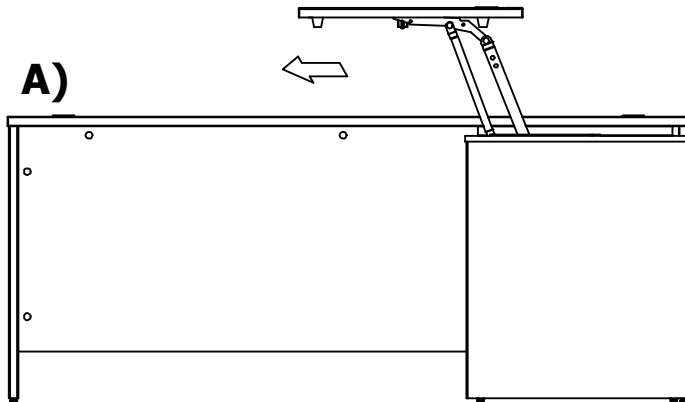


POSITION #3

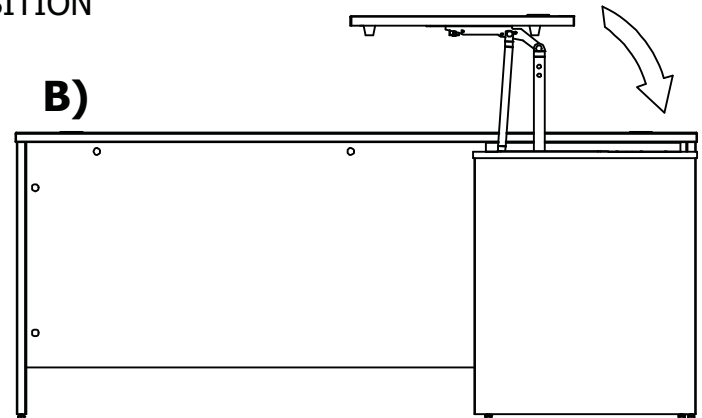


UNLOCK POSITION

A)



B)



DO NOT use desk top in UNLOCK position
NO use el escritorio en la posición de DESBLOQUEO
NE PAS utiliser le bureau en position UNLOCK

To return desk to seated position:

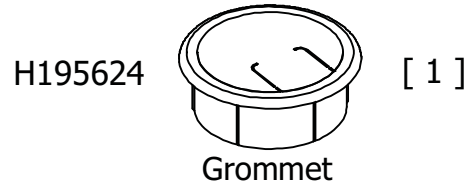
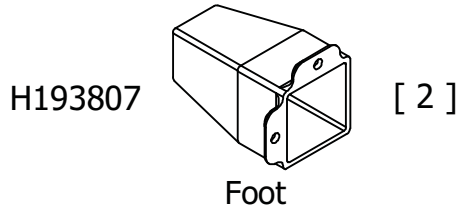
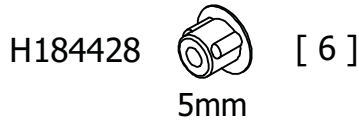
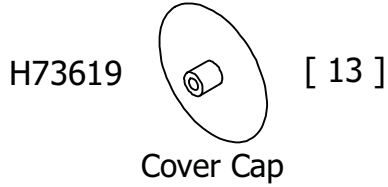
- (A) Pull desk top slowly forward until stop
- (A) Tire del escritorio lentamente hacia adelante hasta que se detenga
- (A) Tirez le bureau lentement vers l'avant jusqu'à la butée

- (B) Slowly push desk top down to seated position
- (B) Empuje lentamente la parte superior del escritorio hacia abajo hasta la posición sentada
- (B) Poussez lentement le bureau en position assise

PARTS LIST

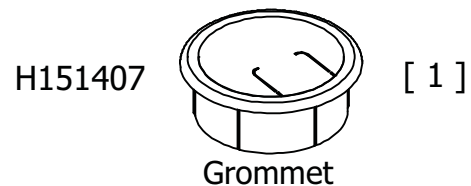
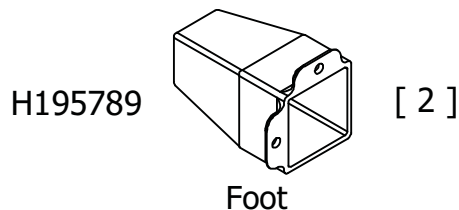
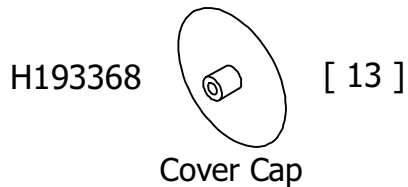
WC81042

A	1	S200554	G	1	W196102
B	1	W196096	H	1	W196101
C	1	W096097	I	1	W196103
D	1	W196098	J	1	W196104
E	1	W196100	K	1	W196099
F	1	W196105	L	1	W196106



WC81142

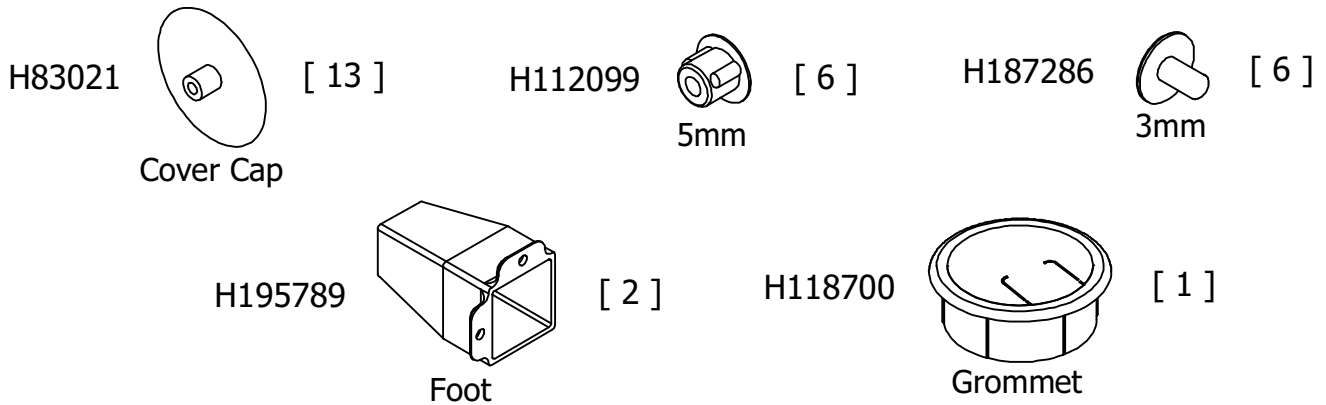
A	1	S200519	G	1	W200514
B	1	W200508	H	1	W200513
C	1	W200509	I	1	W200515
D	1	W200510	J	1	W200516
E	1	W200512	K	1	W200511
F	1	W200517	L	1	W200518



PARTS LIST

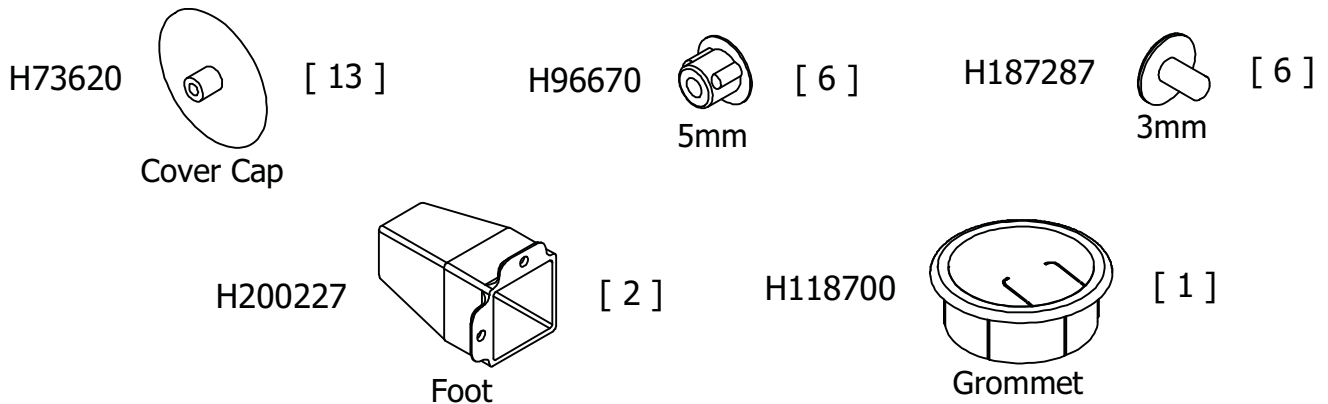
WC81242

A	1	S195900	G	1	W195895
B	1	W195889	H	1	W195894
C	1	W195890	I	1	W195896
D	1	W195891	J	1	W195897
E	1	W195893	K	1	W195892
F	1	W195898	L	1	W195899



WC81342

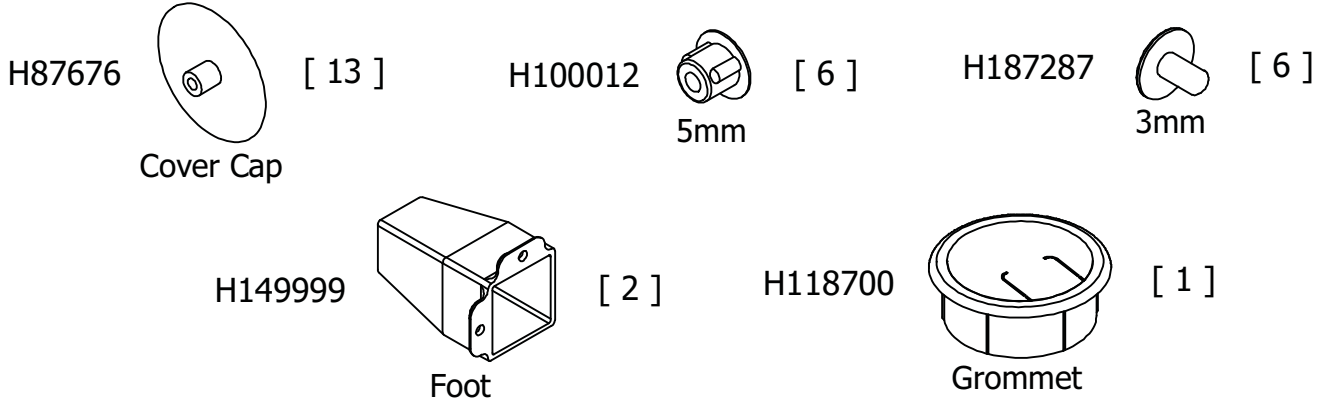
A	1	S200425	G	1	W200420
B	1	W200414	H	1	W200419
C	1	W200415	I	1	W200421
D	1	W200416	J	1	W200422
E	1	W200418	K	1	W200417
F	1	W200423	L	1	W200424



PARTS LIST

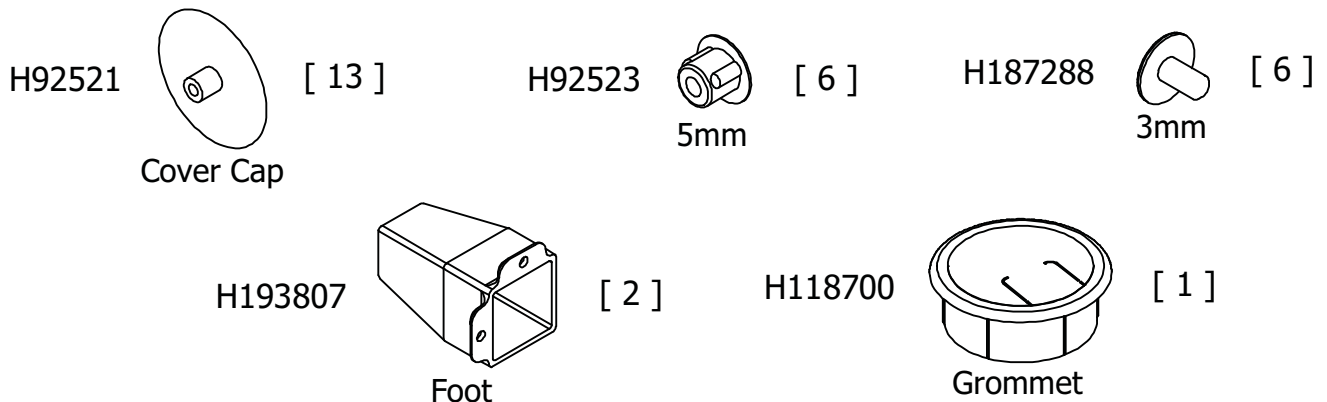
WC81442

A	1	S189689	G	1	W189441
B	1	W189435	H	1	W189440
C	1	W189436	I	1	W189442
D	1	W189437	J	1	W189443
E	1	W189439	K	1	W189438
F	1	W189444	L	1	W189445



WC81542

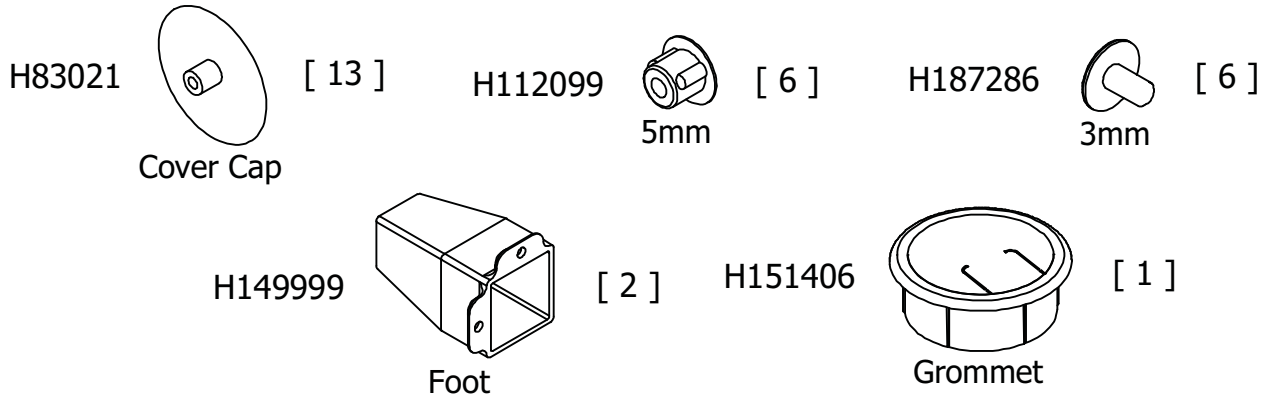
A	1	S193970	G	1	W193965
B	1	W193959	H	1	W193964
C	1	W193960	I	1	W193966
D	1	W193961	J	1	W193967
E	1	W193963	K	1	W193962
F	1	W193883	L	1	W193969



PARTS LIST

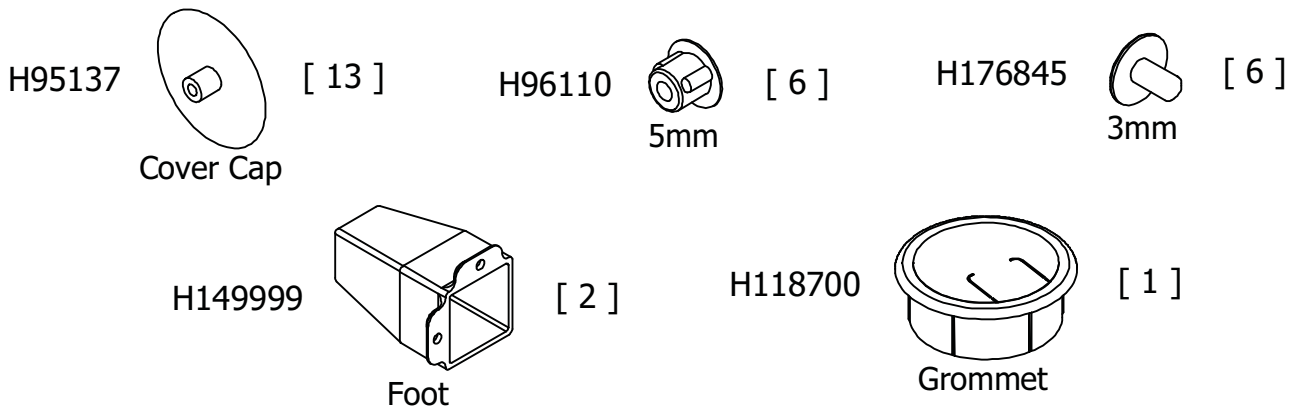
WC81642

A	1	S189258	G	1	W189266
B	1	W189260	H	1	W189265
C	1	W189261	I	1	W189267
D	1	W189262	J	1	W189268
E	1	W189264	K	1	W189263
F	1	W189269	L	1	W189270



WC81742

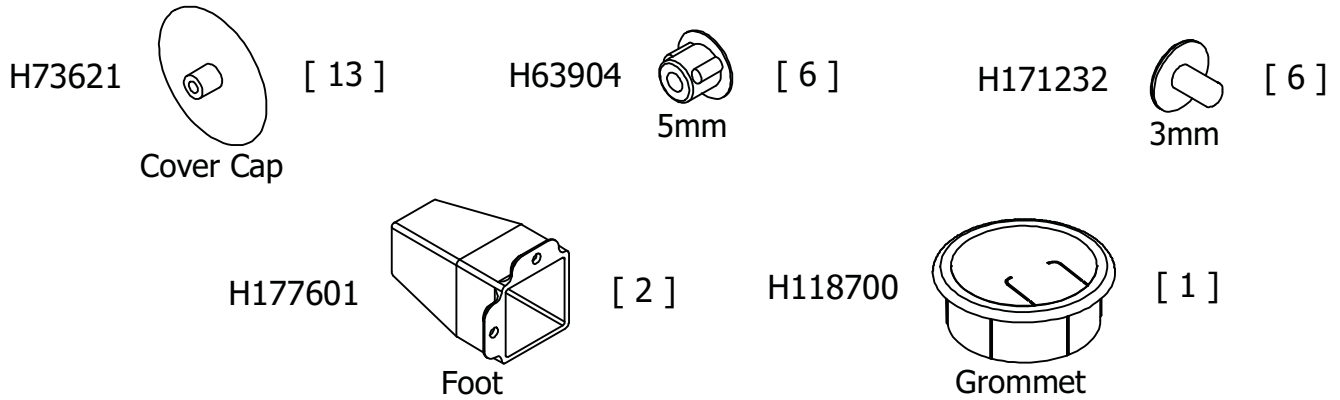
A	1	S189687	G	1	W189429
B	1	W189688	H	1	W189428
C	1	W189424	I	1	W189430
D	1	W189425	J	1	W189431
E	1	W189427	K	1	W189426
F	1	W189432	L	1	W189433



PARTS LIST

WC81842

A	1	S189685	G	1	W189418
B	1	W189686	H	1	W189417
C	1	W189413	I	1	W189419
D	1	W189414	J	1	W189420
E	1	W189416	K	1	W189415
F	1	W189421	L	1	W189422



WC81942

A	1	S196107	G	1	W196102
B	1	W196096	H	1	W196101
C	1	W196097	I	1	W196103
D	1	W196098	J	1	W196104
E	1	W196100	K	1	W196099
F	1	W196105	L	1	W196106

