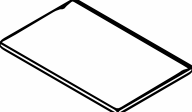
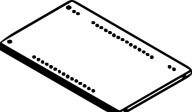
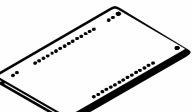
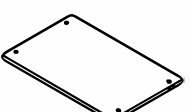

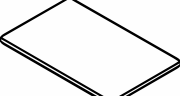


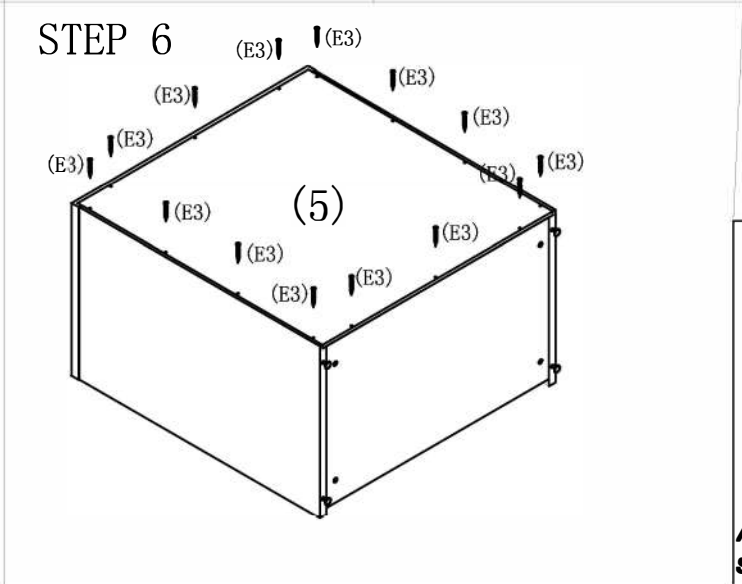
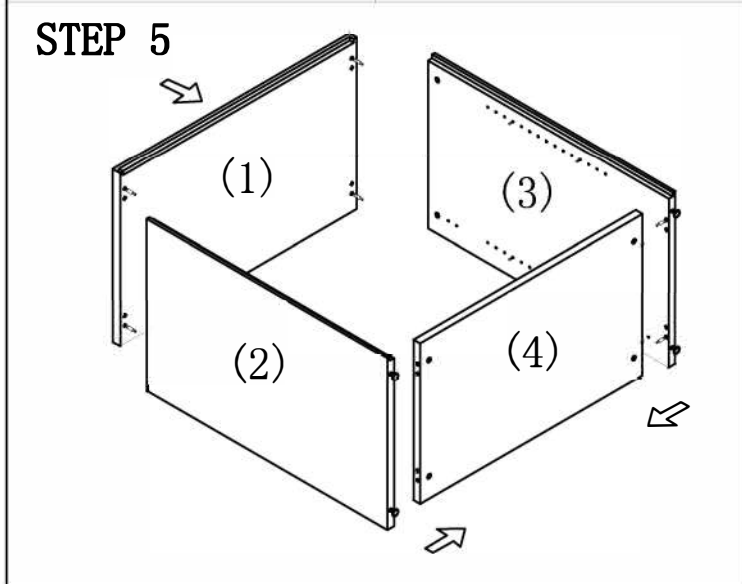
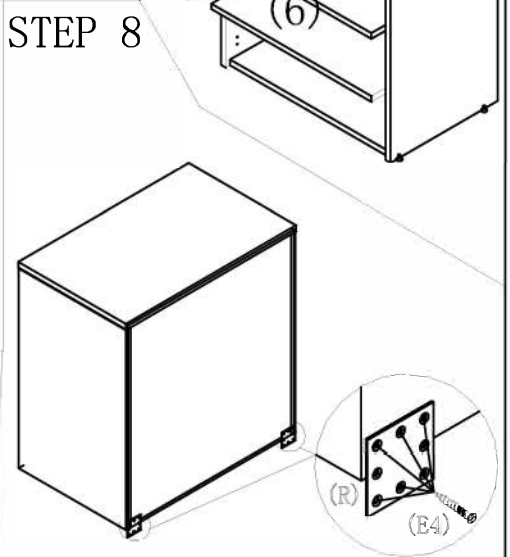
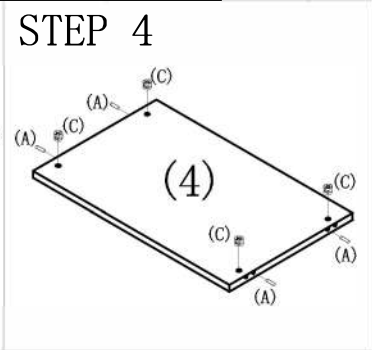
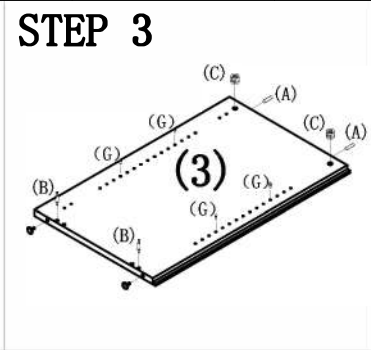
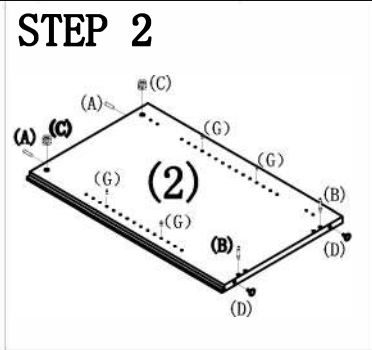
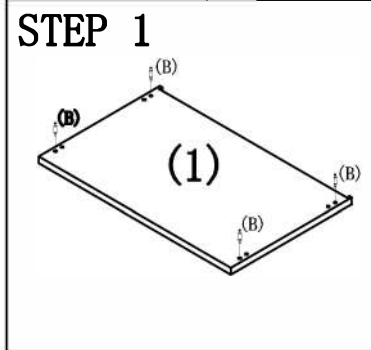
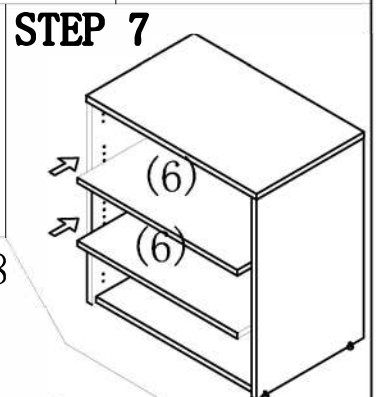


(1) Top  1PC	(2) End Panel  1PC	(3) End Panel  1PC	(4) Bottom Panel  1PC	(5) Back Panel  1PC	(6) Shelf  2PCS	(A) Dowel  8PCS	(B) Cam Pin  8PCS
---	---	---	---	--	--	--	--

(C) Cam Lock  8PCS+1	(D) Leg leveller  4PCS	(G) Shelf Pin  8PCS+1	(P) Adhesive Cam Cover  8PCS	(E3) Wood Screw  14PCS+1	(E4) Wood Screw  12PCS+1	(R) Flat Bracket  2PCS	(M) Cushion  4PCS
---	---	--	---	--	---	---	--



2-DOOR STORAGE CABINET WITHOUT DOORS 2 SHELVES
NAP-212H
38"W x 22"D x 37"H

 **cubicles.com**

Always lay components on A clean, soft-cushioned surface during assembly.